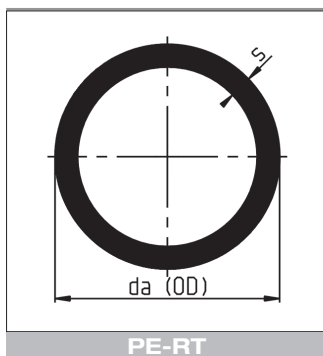


BUIS ROOD
TUYAU ROUGE
PIPE RED

Volgens ÖNORM B5174 (B5134), ÖVGW N 1108, DIN 8077/78 - 60°C. L = 5 m
 Suivant ÖNORM B5174 (B5134), ÖVGW N 1108, DIN 8077/78 - 60°C. L = 5 m.
 According to ÖNORM B5174 (B5134), ÖVGW N 1108, DIN 8077/78 - 60°C. L = 5 m.

D	s	PN 10 / SDR 11		s	PN 20 / SDR 6	
		KG/M	€/M		KG/M	€/M
20	2.5	0.136	1.47	3.4	0.172	1.69
25	2.7	0.186	2.01	4.2	0.266	2.61
32	2.9	0.260	2.79	5.4	0.434	4.25
40	3.7	0.412	4.43	6.7	0.671	6.61
50	4.6	0.638	6.86	8.3	1.041	10.21
63	5.8	1.010	10.81	10.5	1.653	16.29
75	6.8	1.400	15.02	12.5	2.339	23.02
90	8.2	2.020	21.67	15.0	3.360	33.05
110	10.0	3.010	32.27	18.3	5.011	49.51

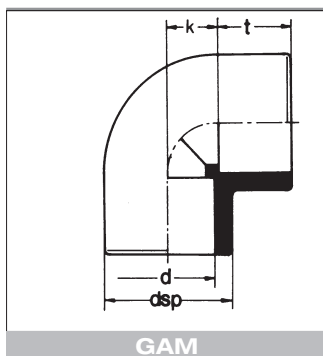


BUIS 5 LAYER NATUREL
 TUYAUX MULTICOUCHE 5 NATUREL
 PIPE 5 LAYER NATUREL

Rollen van 200 m met dampscherm
 Rouleaux de 200 m avec barrière de diffusion
 200 m rolled with oxygen barrier

da	s	KG/ST/PC	€/M
10	1.5	0.05	1.69
16	2.0	0.10	3.18
*17	2.0	0.11	3.47
20	2.0	0.13	4.19

* eveneens leverbaar: rollen van 600 m
 * aussi livrable: rouleaux de 600 m
 * also available: 200 m rolled.

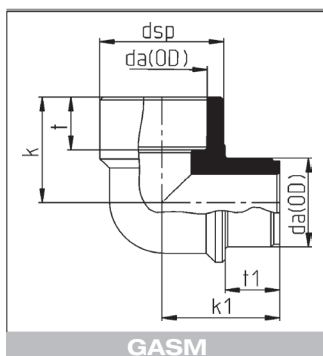


GAM

KNIEEN 90°
COUDES A 90°
ELBOWS 90°

PN 20 - DIN 16962

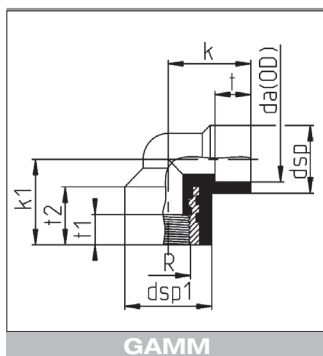
d	dsp	k	t	KG/ST/PC	€/ST/PC
20	30.0	11.0	14.5	0.02	1.00
25	35.0	14.0	16.0	0.03	1.17
32	42.5	17.0	18.1	0.04	1.48
40	52.5	21.0	20.5	0.07	4.91
50	64.5	26.0	23.5	0.12	9.07
63	81.0	33.0	27.4	0.22	11.81
75	92.0	38.5	31.0	0.30	24.96
90	113.0	46.0	35.5	0.57	31.35
110	132.5	57.0	43.0	0.80	47.34



GASM

BOCHT 90°
COUDES A 90°
ELBOWS 90°

da	dsp	t	k	t1	k1	KG/ST/PC	€/ST/PC
20	29.7	14.5	33.0	16.0	31.0	0.020	1.45
25	35.4	16.0	38.5	18.0	36.0	0.025	1.59
32	43.0	18.0	38.0	19.0	41.0	0.030	2.55

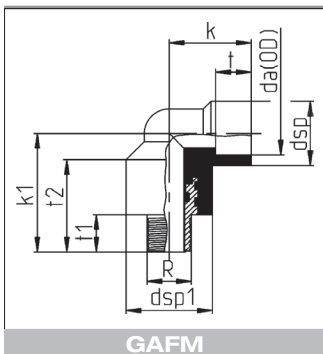


GAMM

BOCHT 90°
COUDES A 90°
ELBOWS 90°

Met metalen binnendraad.
Avec filetage intérieur.
With metal female thread.

da	R	dsp	dsp1	t	k	t1	k1	k2	KG/ST/PC	€/ST/PC
20	1/2"	29.3	39.0	14.5	37.0	12.0	37.0	25.0	0.029	4.48
25	1/2"	35.0	39.0	16.0	40.0	12.0	37.0	25.0	0.109	7.59
25	3/4"	35.0	46.0	16.0	40.0	12.0	37.0	25.0	0.118	9.00
32	1"	43.2	57.0	18.0	45.0	19.0	51.0	36.0	0.278	15.74

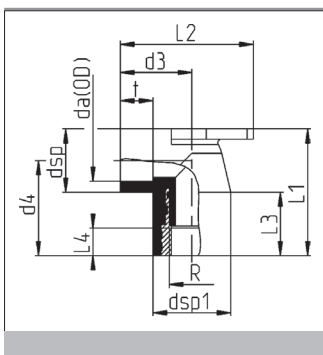


GAFM

BOCHT 90°
COUDES A 90°
ELBOWS 90°

Met metalen buitendraad.
Avec filetage extérieur.
With metal male thread.

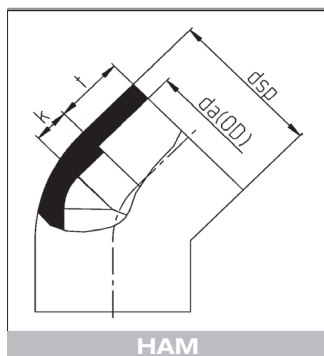
da	R	dsp	dsp1	t	k	t1	k1	t2	KG/ST/PC	€/ST/PC
20	1/2"	29.3	39.0	14.5	37.0	16.5	53.5	41.5	0.126	7.18
25	1/2"	35.0	39.0	16.0	40.0	16.5	53.5	41.5	0.200	10.69
25	3/4"	35.0	46.0	16.0	40.0	17.5	54.5	42.5	0.240	13.34
32	1"	43.2	57.0	18.0	45.0	26.5	66.5	51.5	0.360	24.16



BOCHT 90° MET AANSLUIJSCHIJF
COUDES A 90°
ELBOWS 90° WITH BRACKET

Met metalen binnendraad.
Avec filetage intérieur.
With metal female thread.

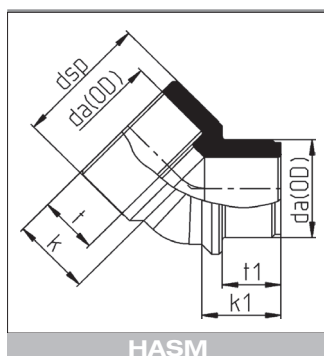
da	R	dsp	dsp1	t	k	L2	L1	k1	L3	KG/ST/PC	€/ST/PC
20	1/2"	28.3	39.0	14.5	28.0	57.9	12.0	35.0	49.7	0.094	5.67


HAM

 BOCHT 45°
 COUDES A 45°
 ELBOWS 45°

N 20 - DIN 16962

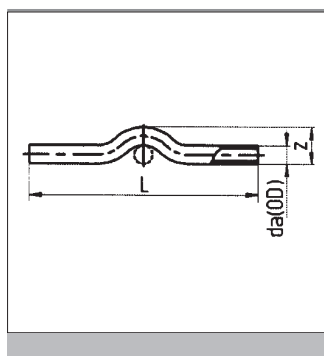
da	dsp	k	t	KG/ST/PC	€/ST/PC
20	30.0	11.0	16	0.016	1.10
25	35.0	14.0	18	0.022	1.35
32	43.0	17.0	20	0.037	1.76
40	53.0	21.0	22	0.058	5.49
50	65.0	26.0	24	0.093	7.62
63	81.0	33.0	29	0.169	9.76
75	92.0	38.5	32	0.223	21.52
90	113.0	46.0	37	0.409	30.15
110	135.0	56.0	42	0.590	44.76


HASM

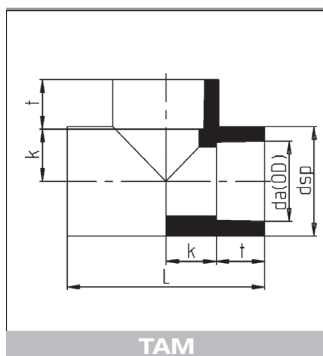
 BOCHT 45°
 COUDES A 45°
 ELBOWS 45°

 Mofaansluiting.
 Soudage emboiture.
 socket tot pipe.

da	dsp	k	t	t1	k1	KG/ST/PC	€/ST/PC
20	29.3	24.5	14.5	16.0	24.0	0.020	1.45
25	35.0	29.0	16.0	18.0	28.5	0.025	1.59
32	43.0	29.0	18.0	19.0	29.0	0.030	2.55


 BUISKRUISINGEN
 COURBES DE TRANSFERT
 TRANSFERT BENDS

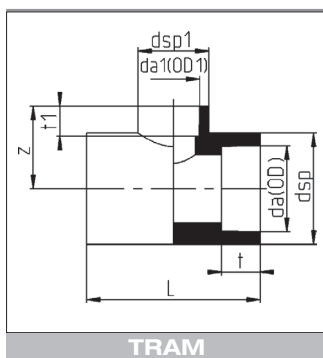
da	z	L	KG/ST/PC	€/ST/PC
20	45.0	400.0	0.072	4.29
25	50.0	400.0	0.107	5.09
32	62.0	400.0	0.170	6.71



TAM

T-STUKKEN 90°
TES A 90°
T-PIECES 90°

da	L	dsp	t	k	KG/ST/PC	€/ST/PC
20	60.0	29.1	16.0	14.0	0.025	1.23
25	70.0	35.2	18.0	17.0	0.035	1.55
32	82.0	43.0	20.0	21.0	0.061	2.22
40	94.0	53.0	22.0	25.0	0.095	5.20
50	108.0	65.0	24.0	30.0	0.160	8.79
63	131.0	81.0	29.0	36.5	0.303	12.65
75	140.0	93.0	32.0	38.0	0.405	26.26
90	176.0	114.0	37.0	51.0	0.808	41.86
110	198.0	134.0	42.0	57.0	1.050	55.94

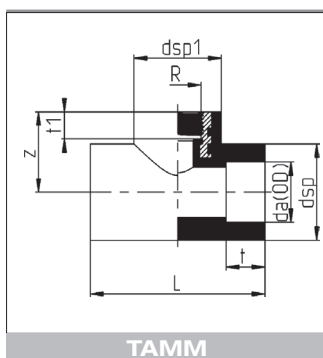


TRAM

T-STUKKEN 90° VERLOPEND
TES 90° REDUCTEUR
REDUCING T-PIECES 90°

PN 20 - DIN 16962

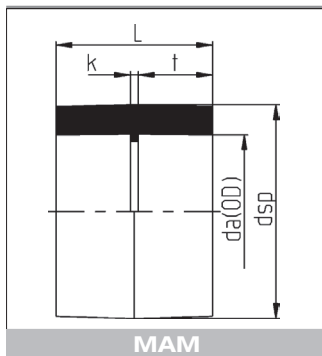
da	da1	z	L	dsp	dsp1	t	t1	G/ST/PC	€/ST/PC
25	20	31.9	68.5	34.8	29.9	18.0	16.0	0.05	2.51
25	20/20	31.9	68.5	34.8	29.9	18.0	16.0	0.05	2.51
32	20	39.8	79.7	43.0	29.9	20.0	16.0	0.06	3.11
32	25	40.0	79.5	43.0	35.0	20.0	18.0	0.06	3.11
40	20	44.8	89.9	53.0	29.7	22.0	16.0	0.10	4.12
40	25	46.8	90.5	53.2	35.3	22.0	18.0	0.09	4.29
40	32	45.0	91.0	53.0	43.0	20.0	20.0	0.10	4.47
50	20	50.0	110.0	65.4	30.0	24.0	16.0	0.16	9.17
50	25	51.0	110.0	65.5	35.5	24.0	18.0	0.16	9.17
50	32	52.5	107.0	65.0	43.0	24.0	20.0	0.16	9.17
50	40	65.0	107.0	65.0	53.0	24.0	22.0	0.17	9.17
63	25	65.0	130.0	81.0	36.0	29.0	18.0	0.27	13.43
63	32	65.0	130.0	81.0	43.5	29.0	20.0	0.32	13.43
63	40	65.0	130.0	81.0	53.0	29.0	22.0	0.32	13.43
63	50	65.0	130.0	81.0	66.0	29.0	24.0	0.33	13.43



TAMM

OVERGANGST-STUKKEN 90°
TES 90°
ADAPTOR T-PIECES 90°

da	R	z	L	t	t1	dsp	dsp1	KG/ST/PC	€/ST/PC
20	1/2"	45.4	61.0	16.5	14.0	29.5	39.0	0.050	5.48
25	1/2"	45.7	70.5	18.5	14.0	35.5	39.0	0.050	5.66
32	1/2"	51.8	80.4	19.8	14.0	43.4	39.0	0.080	5.83
40	1/2"	56.0	92.0	22.5	14.0	53.5	39.0	0.120	6.88

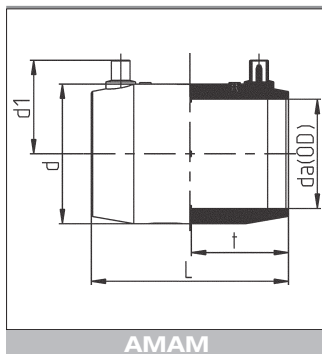


MAM

MOFFEN
MANCHONS
SOCKETS

PN 20 - DIN 16962

da	dsp	t	k	KG/ST/PC	€/ST/PC
20	29.4	16.0	3.0	0.013	0.87
25	35.1	18.0	3.0	0.017	0.97
32	43.2	20.0	3.0	0.025	1.48
40	51.3	22.0	3.0	0.036	3.44
50	64.4	24.0	4.0	0.065	5.31
63	81.3	29.0	4.0	0.118	7.24
75	92.5	32.0	6.0	0.148	10.17
90	113.5	37.0	6.0	0.303	14.47
110	133.8	42.0	6.0	0.415	25.83



AMAM

ELECTROLASMOFFEN
MANCHONS ELECTROSOUDABLES
SOCKETS FOR ELECTRO-WELDING

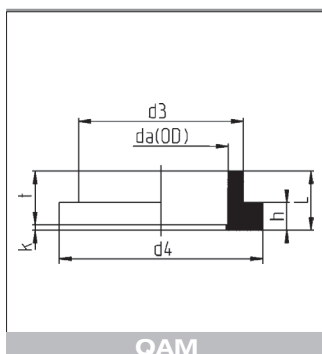
GRIJS
GRIS
GREY

SDR 7.4 - 6

da	L	d	d1	t	KG/ST/PC	€/ST/PC
20	75.0	31.2	35.0	37.5	0,040	23.12

SDR 11

da	L	d	d1	t	KG/ST/PC	€/ST/PC
25	81.0	36.2	38.0	40.5	0.048	26.49
32	89.0	44.0	42.0	44.5	0.066	29.49
40	100.0	55.0	44.5	50.0	0.104	31.05
50	112.0	65.0	50.0	56.0	0.140	43.22
63	128.0	80.0	56.5	64.0	0.231	45.87
75	141.0	97.0	65.5	70.0	0.350	70.81
90	142.0	114.0	73.0	70.0	0.494	93.21
110	153.0	140.0	83.0	75.0	0.780	106.37

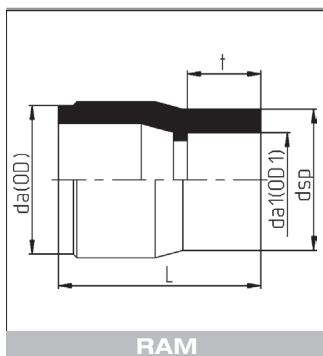


QAM

KRAAGBUSSEN
COLLETS
COLLARS

PN 20 - DIN 16962

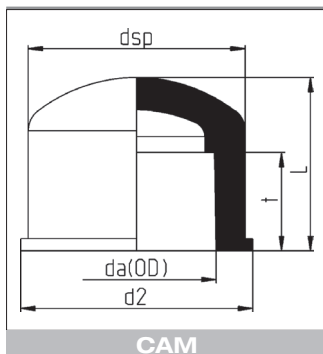
da	dsp	d'	h	l	k	t	KG/ST/PC	€/ST/PC
32	40.8	68.0	10.0	26.0	6.0	20.0	0.038	3.31
40	50.0	77.0	10.5	26.0	4.0	22.0	0.049	4.05
50	61.5	88.0	13.0	30.0	6.0	24.0	0.067	4.84
63	76.6	102.0	14.0	34.0	5.0	29.0	0.089	6.30
75	91.2	121.0	16.0	40.0	8.0	32.0	0.145	12.19
90	105.0	138.0	17.0	44.0	7.0	37.0	0.308	18.81
110	131.0	158.0	18.0	47.0	5.0	42.0	1.000	27.90


RAM

 VERLOOPSTUKKEN
 REDUCTIONS
 REDUCERS

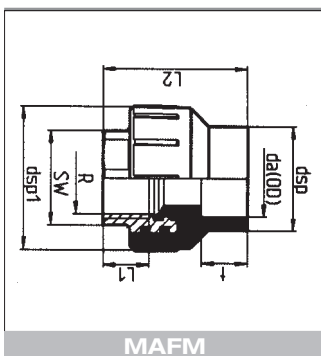
PN 20 - DIN 16962

da	da ¹	dsp	t	l	KG/ST/PC	€/ST/PC
25	20	30.0	16.0	39.0	0.011	0.87
32	20	30.0	16.0	45.5	0.017	1.14
32	25	35.0	18.0	45.0	0.018	1.14
40	20	29.5	16.0	50.0	0.022	3.60
40	25	34.5	18.0	50.0	0.024	3.60
40	32	42.8	20.0	50.0	0.028	3.60
50	20	29.4	16.0	55.0	0.033	4.18
50	25	34.7	18.0	55.0	0.034	4.18
50	32	43.7	20.0	55.0	0.037	4.18
50	40	52.8	22.0	55.0	0.045	4.18
63	25	34.8	18.0	65.0	0.056	5.76
63	32	42.9	20.0	65.0	0.058	5.76
63	40	52.8	22.0	65.0	0.066	5.76
63	50	64.8	24.0	65.0	0.074	5.76
75	50	65.0	24.0	88.0	0.142	10.07
75	63	81.5	29.0	64.0	0.107	10.07
90	63	80.8	29.0	87.8	0.180	14.07
90	75	93.0	32.0	86.6	0.186	14.07
110	90	113.8	37.0	88.7	0.300	19.09


CAM

 EINDKAPPEN
 BOUCHONS FEMELLES
 END CAPS

d	dsp	d ²	t	l	KG/ST/PC	€/ST/PC
20	29.0	32.0	16.0	26.0	0.010	1.05
25	35.0	38.0	18.0	30.0	0.014	1.14
32	43.0	47.0	20.0	35.0	0.022	1.31
40	52.5	58.0	22.0	38.0	0.033	3.75
50	64.5	70.0	24.0	50.0	0.065	4.91
63	80.5	86.0	29.0	59.0	0.125	6.76
75	92.5	98.0	32.0	67.0	0.160	10.92
90	113.0	119.0	37.0	77.0	0.245	15.06
110	135.0	141.0	42.0	74.0	0.430	20.07



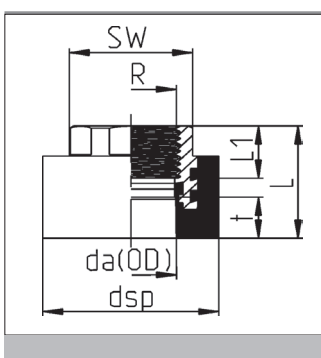
MAFM

OVERGANGSSTUKKEN BINNENDRAAD
DOUILLES DE RACCORDEMENT FILETAGE FEMELLE
TAP CONNECTORS FEMALE THREAD

PN 20 - DIN 16962

Draadstuk in metaal / filetage en métal / metal thread

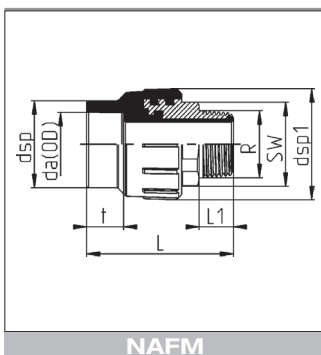
da	R	dsp	dsp1	SW	t	L1	L2	G/ST/PC	€/ST/PC
32	1"	43.0	59.2	39.0	18.0	19.0	59.5	0.269	12.20
40	1 1/4"	65.5	-	50.0	20.0	21.0	51.0	0.329	28.36
50	1 1/2"	77.4	-	60.0	23.0	25.5	57.8	0.572	45.42
63	2"	90.5	-	70.0	26.5	29.0	65.0	0.727	81.60



OVERGANGSSTUKKEN BINNENDRAAD
DOUILLES DE RACCORDEMENT FILETAGE FEMELLE
TAP CONNECTORS FEMALE THREAD

Draadstuk in metaal / filetage en métal / metal thread

da	R	dsp	dsp1	t	L1	L2	€/ST/PC
20	1/2"	29.3	39.0	14.5	12.0	46.5	5.04
25	1/2"	35.0	39.0	16.0	12.0	46.5	5.36
25	3/4"	35.0	46.0	16.0	12.0	46.5	7.42

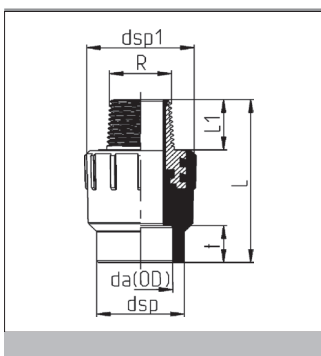


NAFM

OVERGANGSSTUKKEN BUITENDRAAD
DOUILLES DE RACCORDEMENT FILETAGE MALE
TAP CONNECTORS MALE THREAD

Draadstuk in metaal / filetage en métal / metal thread

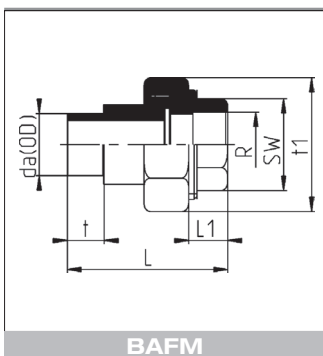
da	R	dsp	dsp1	SW	t	L1	L2	G/ST/PC	€/ST/PC
32	1"	43.0	53.0	39.0	18.0	15.5	75.0	0.401	17.96
40	1 1/4"	65.0	-	50.0	20.5	24.0	70.0	0.474	32.78
50	1 1/2"	77.0	-	60.0	23.5	27.0	77.0	0.655	59.77
63	2"	90.0	-	70.0	27.4	29.0	83.0	0.932	78.01



OVERGANGSSTUKKEN BUITENDRAAD
DOUILLES DE RACCORDEMENT FILETAGE MALE
TAP CONNECTORS MALE THREAD

Draadstuk in metaal / filetage en métal / metal thread

da	R	dsp	dsp1	t	L1	L2	€/ST/PC
20	1/2"	29.3	39.0	14.5	16.5	63.0	6.25
25	1/2"	35.0	39.0	16.0	16.5	63.0	6.65
25	3/4"	35.0	46.0	16.0	17.5	64.0	9.24

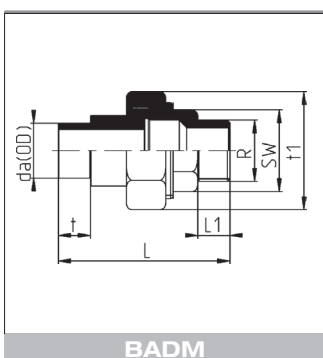


BAFM

DRIEDELIGE KOPPELINGEN BINNENDRAAD
RACCORDS UNIONS FILETAGE FEMELLE
SOCKET UNIONS FEMALE THREAD

Draadstuk in metaal / filetage en métal / metal thread

da	R	L	L1	SW	t	t1	KG/ST/PC	€/ST/PC
20	1/2"	62.0	16.0	27.0	14.8	38.0	0.177	16.62
25	3/4"	71.0	18.5	32.0	18.0	46.0	0.300	22.48
32	1"	80.4	19.0	38.0	21.0	52.0	0.400	33.92
40	1 1/4"	89.0	21.0	46.0	22.0	66.0	0.700	96.19
50	1 1/2"	104.0	25.0	55.0	24.0	80.0	0.950	96.99
63	2"	115.0	30.0	65.0	31.0	95.0	1.300	136.04

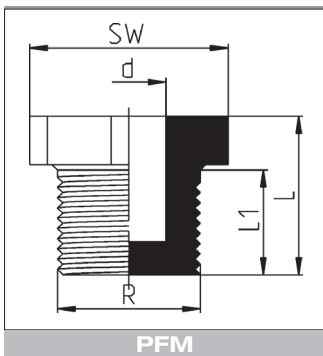


BADM

DRIEDELIGE KOPPELINGEN BUITENDRAAD
RACCORDS UNIONS FILETAGE MALE
SOCKET UNIONS MALE THREAD

Draadstuk in metaal / filetage en métal / metal thread

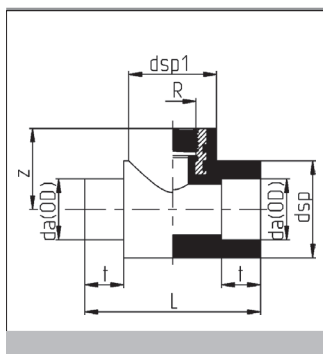
da	R	L	L1	SW	t	t1	KG/ST/PC	€/ST/PC
20	1/2"	74.0	14.0	27.0	15.0	38.0	0.177	18.31
25	3/4"	88.0	16.0	32.0	18.0	46.0	0.300	24.16
32	1"	98.4	18.8	38.0	20.9	52.0	0.400	39.10
40	1 1/4"	112.0	23.0	46.0	22.0	66.0	0.700	109.06
50	1 1/2"	128.0	25.0	55.0	24.0	80.0	0.950	117.77
63	2"	144.0	30.0	65.0	31.0	95.0	1.300	146.67



PFM

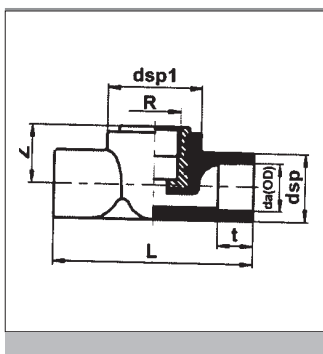
EINDSTOPPEN BUITENDRAAD
BOUCHONS MALE
END PLUG MALE THREADS

	R	L	L1	SW	d	KG/ST/PC	€/ST/PC
20 x 1/2"	26.0	16.0	30.0	10.0	0.008	1.75	
25 x 3/4"	30.0	20.0	32.0	12.0	0.013	1.87	



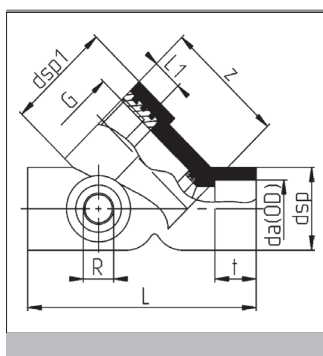
LEEGLOOPSTOP
ELEMENT DE VIDANGE
DRAIN PLUG

da	R	z	L	dsp	dsp1	t	KG/ST/PC	€/ST/PC
20	1/4"	26.0	62.0	29.0	28.0	16.0	0.041	5.34
25	1/4"	29.0	66.0	35.0	28.0	18.0	0.050	5.54
32	1/4"	33.5	69.0	43.0	28.0	19.5	0.062	5.73
40	1/4"	38.0	74.0	52.5	28.0	22.0	0.084	5.93



VERZONKEN AFSLUITERS
VANNES NOYEES
STOP VALVE, LOWER PART

da	R	z	L	dsp	dsp1	t	KG/ST/PC	€/ST/PC
20	1/2"	26.0	92.5	42.0	29.0	16.0	0.112	12.19
25	3/4"	29.5	102.0	48.0	35.1	18.0	0.167	12.79
32	1"	35.5	104.0	56.0	43.0	20.0	0.272	19.82
40	1 1/4"	40.0	136.0	64.0	53.0	22.0	0.380	26.33



VRIJSTROOMAFSLUITERS
VANNES A SIEGE INCLINE
SLANTED SEAT VALVES

da	G	z	L	dsp	dsp1	t	R	L1	KG/ST/PC	€/ST/PC
20	3/4"	52.0	100.0	35.0	47.0	16.0	1/4"	12.0	0.170	17.30
25	3/4"	52.0	102.0	35.0	47.0	18.0	1/4"	12.0	0.160	17.60
32	1 1/4"	75.0	130.0	54.0	70.0	20.0	1/4"	14.0	0.470	34.42
40	1 1/4"	75.0	130.0	54.0	70.0	22.0	1/4"	14.0	0.450	34.72