

DRUKBUIS
TUYAU DE PRESSION
PRESSURE PIPE

L = 5 m

PN 10 / SDR 33 / ISO S-16

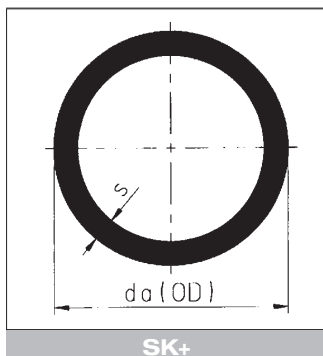
da	s	KG/ST/PC	€/M
New 90	2.8	1.40	193.74

LINER drukloos / sans pression / pressureless

da	s	KG/ST/PC	€/M
110	3.0	1.83	253.21
160	3.0	2.69	372.20
200	5.0	6.04	860.57

PN 10 / SDR 21 / ISO S-10

da	s	KG/ST/PC	€/M
20	1.9	0.20	27.02
25	1.9	0.25	34.76
32	2.4	0.41	56.70
40	2.4	0.52	72.75
50	3.0	0.80	109.46
63	3.0	1.03	140.78
90	4.3	2.10	288.25
110	5.3	3.14	430.53



BUIS SK+
TUYAU SK+
PIPE SK+

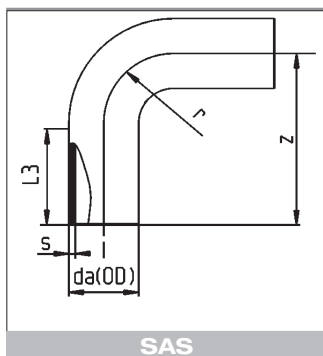
SYNTETISCH GELAMINEERT
LAMINÉ SYNTHETIQUE
SYNTHETIC BACKING

L = 5 m

da	s	KG/ST/PC	€/M
20	1.9	0.31	192.90
25	1.9	0.39	212.66
32	2.4	0.57	249.37
40	2.4	0.73	297.64
50	3.0	1.05	413.84
63	3.0	1.35	503.76
90	2.8	1.90	709.05
110	3.0	2.40	905.93
160	3.0	3.56	1242.05

L = 1 m

da	s	KG/ST/PC	€/M
20	1.9	0.31	221.84
25	1.9	0.39	244.55
32	2.4	0.57	286.77
40	2.4	0.73	342.28
50	3.0	1.05	475.92
63	3.0	1.35	579.32
90	2.8	1.90	815.41
110	3.0	2.40	1041.82
160	3.0	3.56	1428.36

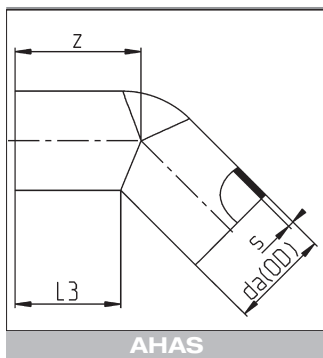


SAS

MULTI-BOCHTEN 90°
MULTI-COUDES 90°
MULTI-ELBOWS 90°

PN 10 / SDR 21 / ISO S-10

D	s	z	r	L3	KG/ST/PC	€/ST/PC
20	1.9	51	20	33	0.02	13.80
25	1.9	56	25	33	0.03	18.64
32	2.4	63	32	33	0.05	36.20
50	3.0	84	50	36	0.13	86.57
63	3.0	97	63	35	0.19	162.60
90	4.3	123	90	34	0.50	413.60
110	5.3	142	110	34	0.89	620.38

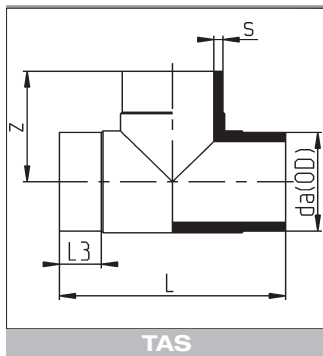


AHAS

BOCHTEN 45° - VERLENGD
COUDES 45° - ALLONGES
ELBOWS 45° - ELONGATED

PN 10 / SDR 21 / ISO S-10

D	s	l _s	Z	KG/ST/PC	€/ST/PC
20	1.9	39	43	0.02	17.26
25	1.9	40	45	0.02	18.76
32	2.4	46	52	0.05	36.23
50	3.0	56	66	0.11	85.51
63	3.0	62	75	0.17	144.22

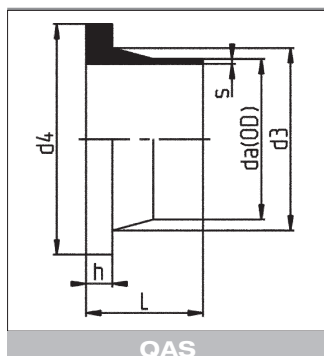


TAS

T-STUKKEN 90°
TES A 90°
TEES 90°

PN 10 / SDR 21 / ISO S-10

D	s	L	z	L ₃	KG/ST/PC	€/ST/PC
20	1.9	70	35	15	0.02	19.43
25	1.9	80	40	15	0.03	24.35
32	2.4	89	45	17	0.08	35.13
50	3.0	120	60	23	0.15	61.74
63	3.0	149	75	28	0.24	131.97
90	4.3	181	92	33	0.56	432.40
110	5.3	216	110	33	1.09	536.67

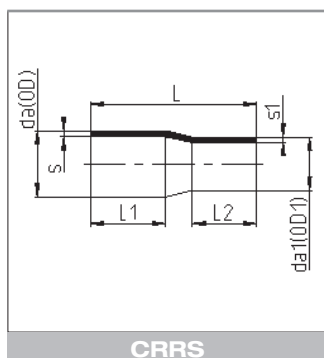


QAS

VOORLASKRAGEN
COLLETS
STUBS

PN 10 / SDR 21 / ISO S-10

D	s	d ³	d ⁴	h	L	KG/ST/PC	€/ST/PC
20	1.9	27	45	6.0	50	0.03	17.42
25	1.9	33	58	6.5	50	0.05	19.43
32	2.4	40	68	7.0	50	0.06	21.59
50	3.0	61	88	9.0	50	0.12	51.53
63	3.0	75	102	10.0	50	0.17	61.84
90	4.3	105	138	17.0	80	0.38	151.43
110	5.3	125	158	18.0	80	0.57	232.92

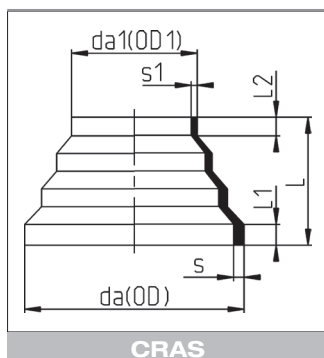


CRRS

CONCENTRISCHE VERLOOPSTUKKEN
REDUCTIONS CONCENTRIQUES
CONCENTRIC REDUCERS

PN 10 / SDR 21 / ISO S-10

da (OD)	da1 (OD1)	s	L	L1	L2	s1	KG/ST/PC	€/ST/PC
25	20	1.9	85	39	40	1.9	0.03	27.16
32	25	2.4	95	44	40	1.9	0.02	27.58
50	25	4.6	118	55	44	2.3	0.04	46.65
50	32	4.6	118	59	46	3.0	0.08	46.65
63	32	5.8	136	64	49	3.0	0.06	67.44
63	50	5.8	150	66	59	4.6	0.14	67.44
110	63	6.6	180	83	63	3.8	0.03	164.84
110	90	6.6	180	83	75	5.4	0.65	164.84

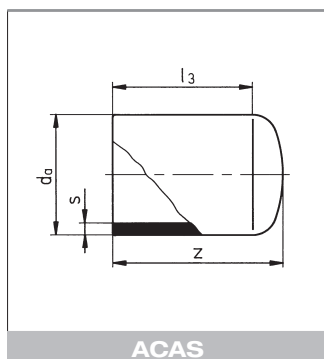


CRAS

CONCENTRISCHE VERLOOPSTUKKEN
REDUCTIONS CONCENTRIQUES
CONCENTRIC REDUCERS

Gespoten / Injectés / Moulded

OD	da(OD)	da1 (OD1)	s	L	s1	SDR 21 / ISO S-10 KG/ST/PC	€/ST/PC
110/63	110	63	5,3	65	3.0	0.14	137.90

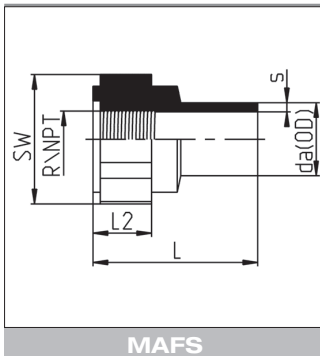


ACAS

EINDKAPPEN, VERLENGD
BOUCHONS ALLONGEES
END CAPS, ELONGATED

PN 10 / SDR 21 / ISO S-10

da	s	z	l ³	KG/ST/PC	€/ST/PC
20	1.9	45	41	0.01	19.97
25	1.9	49	41	0.01	22.55
32	2.4	56	47	0.03	22.61
50	3.0	73	60	0.06	51.10
63	3.0	86	68	0.11	81.74



MAFS

OVERGANGSSTUKKEN
EMBOUITS D'ADAPTATION
ADAPTOR COUPLINGS

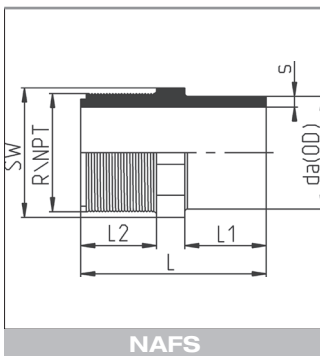
Gespoten. GFK versterkt.
Vrouwelijke draadaansluiting standaard volgens BS-norm, NPT-draad op aanvraag.

Injectés. Renforcé fibre de verre
Fixation fileté femelle standard selon norme BS, filetage NPT sur demande.

Moulded. Glassfiber reinforced
One end female threaded (standard thread BS, also available with NPT thread).

da	s	L	L2	SW	R	SDR21 / ISO S-10	
						KG/ST/PC	€/ST/PC
20	1,9	46	16	32	1/2"	0,03	23.46
25	1,9	51	18	41	3/4"	0,05	27.36
32	2,4	58	20	46	1"	0,07	40.41

NPT op aanvraag / sur demande / on request



NAFS

OVERGANGSSTUKKEN
EMBOUITS D'ADAPTATION
ADAPTOR COUPLINGS

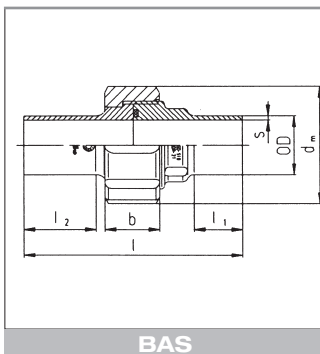
Gespoten.
Mannelijke draadaansluiting standaard volgens BS-norm, NPT-draad op aanvraag.

Injectés.
Fixation fileté male standard selon norme BS, filetage NPT sur demande.

Moulded.
One end male threaded (standard thread BS, also available with NPT thread).

da	s	L	L2	SW	R	SDR21 / ISO S-10	
						KG/ST/PC	€/ST/PC
20	1,9	46	18	22	1/2"	0,01	20.19
25	1,9	51	20	27	3/4"	0,02	23.46
32	2,4	61	23	36	1"	0,05	35.83

NPT op aanvraag / sur demande / on request

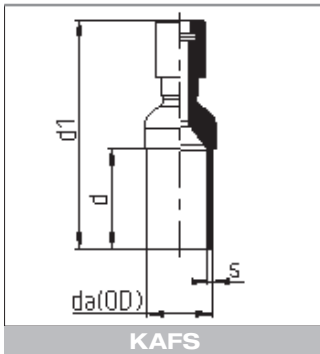


BAS

DRIEDELIGE KOPPELINGEN
RACCORDS UNION
SOCKET UNIONS

Gespoten. Met dichting in FPM, moer GVK. FDA keuring.
Injectés. Avec fermeture en FPM, écrou FRP. Homologation FDA.
Moulded. Sealing: O-ring in FPM, nut FRP. FDA approval.

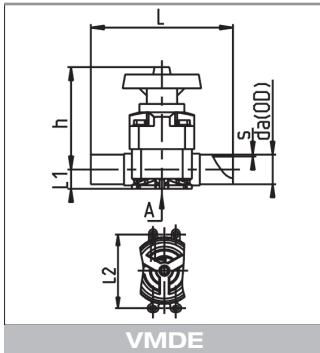
OD	s	l	L1	L2	dm	b	SDR 21 / ISO S-10	
							KG/ST/PC	€/ST/PC
20	1.9	107	24	35.5	47	24	0.08	62.34
25	1.9	112	24	36.5	57	26	0.11	78.94
32	2.4	119	25	39.3	64	30	0.16	97.07
50	3.0	130	25	40.0	89	35	0.34	225.98
63	3.0	138	25	40.5	109	39	0.54	299.18



OVERGANGSSTUKKEN
EMBOUTS D'ADAPTATION
ADAPTOR COUPLINGS

van ECTFE naar PFA, Flare Link
du ECTFE au PFA, Flare Link
ECTFE to PFA, Flare Link

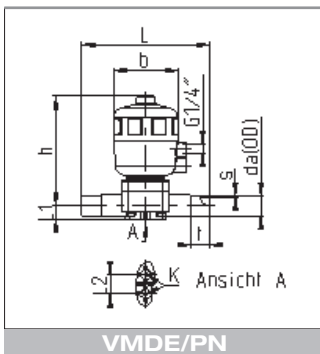
da x R	s	d	d1	KG/ST/PC	€/ST/PC
20 x 1/4"	1.9	38.1	81	0,03	171.28
20 x 3/8"	1.9	38.1	84	0,04	182.29
20 x 1/2"	1.9	38.1	86	0,04	227.27
20 x 3/4"	1.9	38.1	90	0,06	226.52
25 x 1/4"	1.9	38.1	81	0,04	182.29
25 x 3/8"	1.9	38.1	85	0,04	198.92
25 x 1/2"	1.9	38.1	87	0,05	215.52
25 x 3/4"	1.9	38.1	90	0,06	248.58
25 x 1"	1.9	38.1	98	0.13	281.84
32 x 1/2"	2.4	38.1	87	0,07	254.19
32 x 3/4"	2.4	38.1	91	0,09	281.84
32 x 1"	2.4	38.1	98	0.07	320.34


VMDE

 MEMBRAANKRANEN
VANNES A MEMBRANE
DIAPHRAGM VALVES

PN 10 / SDR 21 / ISO S-10

da	s	L	L1	L2	h	KG/ST/PC	€/ST/PC PTFE
20	1.9	133	16.5	24.5	100	0.45	497.19
25	1.9	144	17.0	24.5	100	0.50	507.21
32	2.4	154	20.5	24.5	107	0.72	523.73
50	3.0	194	32.0	44.0	144	1.70	856.30
63	3.0	224	38.5	44.0	170	2.45	1117.23


VMDE/PN

 MEMBRAANKRANEN - PNEUMATISCH
VANNES A MEMBRANE - PNEUMATIQUE
DIAPHRAGM VALVES - PNEUMATICALLY

 Normaal gesloten, normaal open, dubbelwerkend
 Normalement fermé, normalement ouverte, double effet
 Normally closed, normally open, double acting

da	s	L	L1	L2	h	b	t	DN	K	kv l/mi	KG/ ST/PC	€/ST/PC ECTFE
20	1.9	133	16.5	24.5	170	101	36	15	M6	72	1.48	698.38
25	1.9	144	16.5	24.5	170	101	36	20	M6	93	1.94	708.43
32	2.4	154	20.5	24.5	175	101	36	25	M6	221	1.92	746.35
50	3.0	194	32.0	44.0	273	153	46	40	M8	500	6.26	1354.65
63	3.0	224	38.5	44.0	277	153	54	50	M8	875	7.47	1612.51