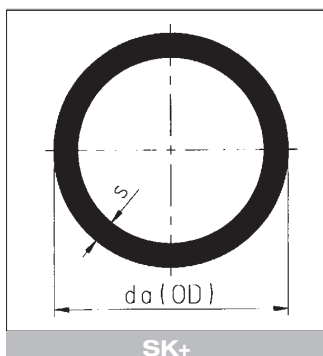


BUIS NATUREL  
TUYAU NATUREL  
PIPE NATUREL

L = 5 m

da	s	KG/ST/PC	€/M
32	2.3	0.51	127.94
50	2.3	0.82	205.70
63	2.3	1.05	263.40
90	2.3	1.51	378.79
110	2.3	1.86	466.58
160	2.3	2.72	682.33



BUIS SK+ GLASDOEK GELAMINEERD  
TUYAU SK+ LAMINE FIBRES DE VERRE  
PIPE SK+ GLASS BACKING

L = 5 m

da	s	KG/ST/PC	€/M
32	2.3	0.61	435.66
50	2.3	0.98	502.25
63	2.3	1.25	640.63
90	2.3	1.80	810.54
110	2.3	2.21	950.58
160	2.3	3.23	1366.11

L = 1 m

da	s	KG/ST/PC	€/M
32	2.3	0.61	501.01
50	2.3	0.98	577.59
63	2.3	1.25	736.72
90	2.3	1.80	932.12
110	2.3	2.21	1093.17
160	2.3	3.23	1571.03

Drukloos toepasbaar van -190°C tot +205°C  
Applications sans pression de -190°C à +205°C  
Pressureless applications from -190°C to +205°C