

ROND ZWART
 ROND NOIR
 ROUND BLACK

Afmetingen zijn niet volgens DIN 8074/75

Bij deze buizen bestaat het gevaar dat, tijdens het transport, de buizen door hun eigen gewicht een ovale vorm aannemen.

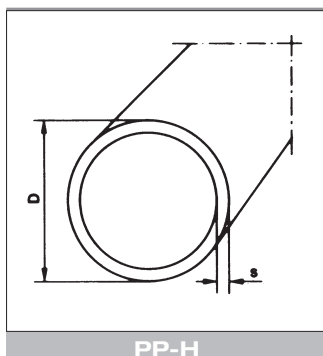
Ces dimensions ne sont pas suivant DIN 8074/75.

Lors du transport, ces tuyaux risquent d'être déformés de par leur propre poids.

These dimensions are not according to DIN 8074/75

During shipment these pipes might flatten into an oval form caused by their own weight.

D x s	KG/M	€/M
400 x 8.0	10.04	68.29
450 x 8.0	11.30	77.55
500 x 8.0	12.60	86.48
560 x 10.0	17.60	120.79
630 x 10.0	19.80	135.88
710 x 12.0	26.70	197.68
800 x 12.0	30.20	223.58
900 x 15.0	42.30	335.65
1000 x 15.0	47.00	372.94
1200 x 18.0	67.70	573.16
1400 x 20.0	87.70	789.10



ROND GRIJS RAL 7032
 ROND GRIS RAL 7032
 ROUND GREY RAL 7032

PP-H

Afmetingen zijn niet volgens DIN 8077/78

Bij deze buizen bestaat het gevaar dat, tijdens het transport, de buizen door hun eigen gewicht een ovale vorm aannemen.

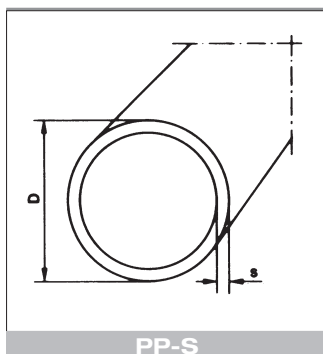
Ces dimensions ne sont pas suivant DIN 8077/78

Lors du transport, ces tuyaux risquent d'être déformés de par leur propre poids.

These dimensions are not according to DIN 8077/78

During shipment these pipes might flatten into an oval form caused by their own weight.

D x s	KG/M	€/M
200 x 3.0	1.83	15.80
250 x 3.5	2.66	22.97
315 x 5.0	4.74	40.94
355 x 6.0	6.39	55.20
400 x 6.0	7.20	62.15
450 x 6.0	8.10	69.92
500 x 8.0	11.90	102.70
560 x 8.0	13.41	115.74
630 x 10.0	18.80	162.69
710 x 12.0	25.30	263.35
800 x 12.0	28.60	297.72
900 x 15.0	40.10	485.61
1000 x 15.0	44.60	540.13
1200 x 18.0	64.10	813.50
1400 x 20.0	83.20	1100.93



ROND
 ROND
 ROUND

L = 5 m

PP-S buizen worden geklasseerd als moeilijk ontvlambare bouwstof in klasse B1 volgens DIN 4102/1.

Een keuringsrapport van het Institut für Bautechnik te Berlijn is verkrijgbaar op aanvraag.

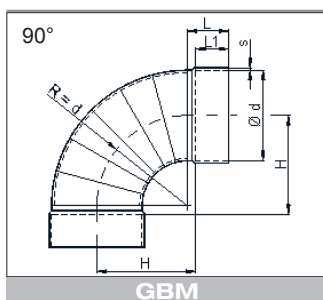
Les tuyaux en PP-S sont classés comme matériau de construction difficilement inflammable, classe B1 suivant DIN 4102/1.

Un rapport de contrôle de l'Institut für Bautechnik à Berlin est disponible sur demande.

PP-S pipes are classified as a fire-resistant material in Class B1 according to DIN 4102/1.

An approval report from the Institut für Bautechnik in Berlin is available on request.

D x s	KG/M	€/M
140 x 3.0	1.320	12.80
160 x 3.0	1.530	14.63
180 x 3.0	1.710	16.69
200 x 3.0	1.900	18.42
225 x 3.5	2.470	24.11
250 x 3.5	2.750	26.80
280 x 4.0	3.480	34.05
315 x 5.0	4.910	47.53
355 x 5.0	5.540	53.79
400 x 6.0	7.390	72.34
450 x 6.0	8.330	105.76
500 x 8.0	12.300	152.65
560 x 8.0	13.800	171.29
630 x 10.0	19.300	239.56
710 x 12.0	26.000	322.72
800 x 12.0	29.300	363.67
900 x 15.0	41.200	637.74
1000 x 15.0	45.900	710.47
1200 x 18.0	65.800	1044.79

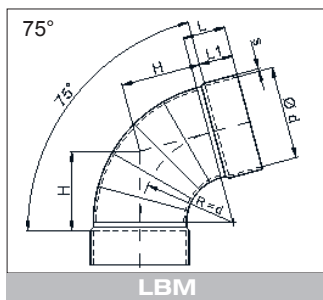


GBM

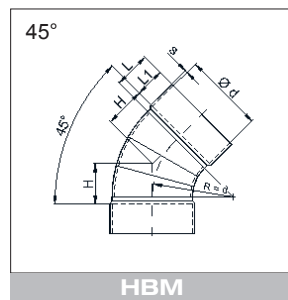
BOCHTEN R = 1D
 COURBES R = 1D
 BENDS R = 1D

SEGMENTVRIJ
 SANS SEGMENTS
 WITHOUT SEGMENTS

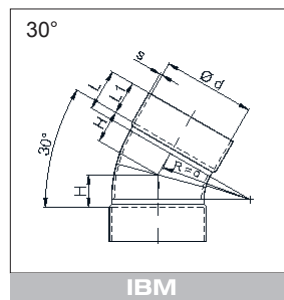
Beide zijden gemoft
 Manchonnées des deux côtes.
 Welding sleeves on both ends.



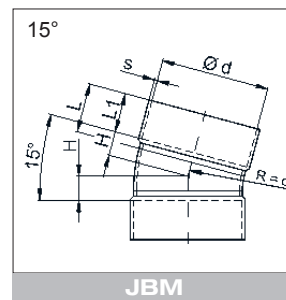
LBM



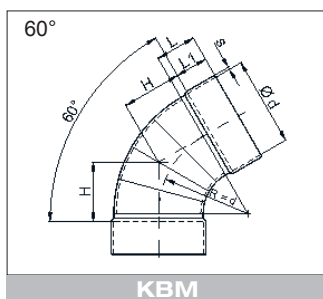
HBM



IBM

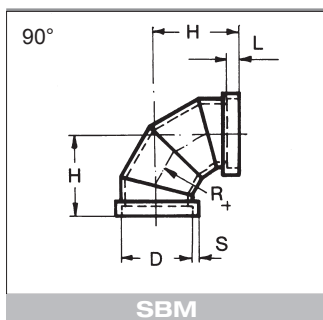


JBM

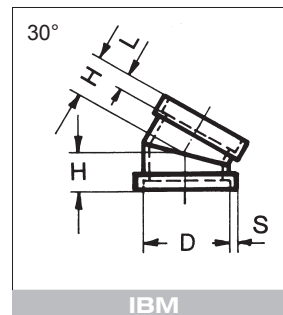
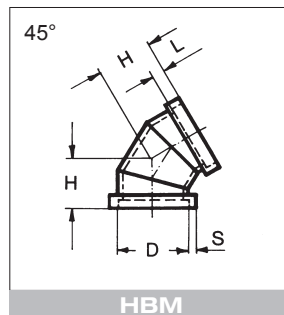
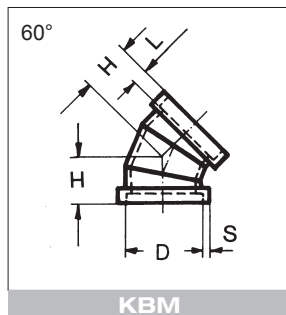


KBM

d	L	L1	s	H						€/ST/PC					
				90°	75°	60°	45°	30°	15°	90°	75°	60°	45°	30°	15°
				90°	75°	60°	45°	30°	15°	GBM	LBM	KBM	HBM	IBM	JBM
50	30	25	3.0	55	45	35	30	20	10	16.06	16.06	16.06	12.85	12.85	12.85
63	30	25	3.0	70	55	40	32	20	15	16.06	16.06	16.06	12.85	12.85	12.85
75	40	35	3.0	80	65	50	35	25	15	16.06	16.06	16.06	12.85	12.85	12.85
90	40	35	3.0	95	75	55	40	30	15	18.20	18.20	18.20	12.85	12.85	12.85
110	50	40	3.0	120	95	75	55	40	15	20.34	20.34	20.34	12.85	12.85	12.85
125	50	40	3.0	135	105	80	60	45	25	21.41	21.41	21.41	14.99	12.85	12.85
140	50	40	3.0	150	115	90	70	50	30	25.69	25.69	25.69	20.34	20.34	20.34
160	50	40	3.0	170	135	100	75	55	20	28.91	28.91	28.91	23.55	21.41	21.41
180	60	50	3.0	190	150	115	85	60	35	31.05	31.05	31.05	25.69	23.55	23.55
200	60	50	3.0	210	165	125	95	65	25	33.19	33.19	33.19	26.77	26.77	26.77
225	60	50	3.5	235	185	140	105	70	40	43.89	43.89	43.89	33.19	31.05	31.05
250	60	50	3.5	260	200	155	115	75	35	44.97	44.97	44.97	36.40	33.19	33.19
280	60	50	4.0	290	225	170	125	85	45	103.85	103.85	103.85	81.37	44.97	44.97
315	60	50	5.0	325	250	190	140	95	50	124.19	124.19	124.19	94.21	93.14	93.14
355	60	50	5.0	365	280	215	160	105	55	143.46	143.46	143.46	111.34	103.85	103.85
400	70	60	6.0	410	320	245	175	120	70	153.10	153.10	153.10	119.91	107.06	107.06
450	70	60	6.0	460	360	275	200	135	75	374.71	374.71	374.71	252.66	207.70	207.70
500	70	60	6.0	510	405	310	215	155	85	450.72	429.31	400.40	321.18	298.70	298.70
560	110	90	6.0	580	450	345	250	170	95	656.28	656.28	559.92	423.96	342.59	342.59
630	110	90	8.0	650	485	385	280	190	100	710.88	688.40	684.11	489.26	393.98	393.98
710	110	90	8.0	730	565	430	310	210	115	1159.46	1141.26	1141.26	776.19	700.17	700.17
800	120	100	10.0	820	630	480	350	235	125	1514.90	1505.26	1505.26	978.53	936.78	936.78
900	130	110	8.0	1030	795	605	410	265	160	1933.14	1933.14	1892.74	1137.26	1079.69	1079.69
1000	130	110	8.0	1030	795	605	410	265	160	2370.47	2370.47	2240.18	1376.63	1293.81	1293.81

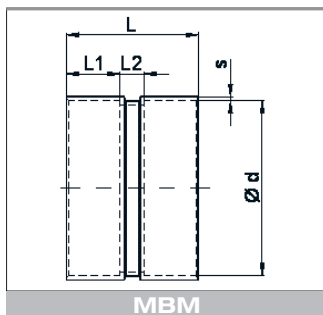


GESEGMENTEERDE BOCHTEN R = 1D
 COURBES SEGMENTEES R = 1D
 SEGMENTED BENDS R = 1D



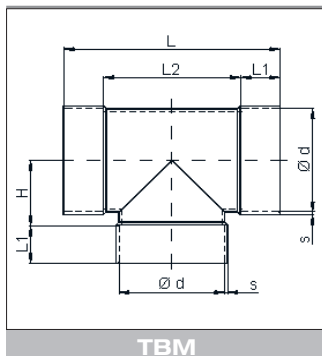
D	L	S	H				€/ST/PC			
			90°	60°	45°	30°	90° SBM	60° KBM	45° HBM	30° IBM
1200	120	10.0	1280	750	595	365	3481.47	3481.47	2226.04	1747.30

Ook leverbaar zonder moffen: prijs op aanvraag
 Egalement livrable sans manchons: prix sur demande
 Also available without socket ends: price on request.



SOKKEN
 MANCHONS
 SOCKETS

d	L	L1	L2	S	KG/ST/PC	€/ST/PC
50	80	25	30	3.0	0.1	10.71
63	80	25	30	3.0	0.1	10.71
75	100	35	30	3.0	0.1	10.71
90	100	35	30	3.0	0.1	10.71
110	100	40	20	3.0	0.1	10.71
125	100	40	20	3.0	0.1	12.85
140	100	40	20	3.0	0.2	12.85
160	100	40	20	3.0	0.2	14.99
180	100	40	20	3.0	0.2	14.99
200	120	50	20	3.0	0.2	16.06
225	120	50	20	3.5	0.3	18.20
250	120	50	20	3.5	0.4	21.41
280	120	50	20	4.0	0.4	23.55
315	120	50	20	5.0	0.8	25.69
355	135	50	35	5.0	0.9	49.25
400	155	60	35	6.0	1.0	52.46
450	160	60	40	6.0	1.2	65.31
500	160	60	40	6.0	1.0	70.66
560	170	70	30	6.0	2.0	182.00
630	170	70	30	8.0	2.2	169.15
710	215	90	35	8.0	3.3	232.32
800	230	100	30	8.0	4.2	260.16
900	250	125	0	8.0	5.2	292.27
1000	250	125	0	8.0	7.2	325.46
1200	250	125	0	10.0	9.0	533.16
1400	350	175	0	12.0	14.2	580.27



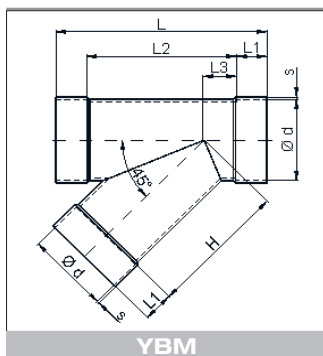
T-STUKKEN 90°
 TES A 90°
 TEES 90°

Driezijdig gemoft.
 Manchonnées des trois côtés
 Welding sleeves on all ends

d	L	L1	L2	H	S	KG/ST/PC	€/ST/PC
50	140	35	70	35	3.0	0.1	32.21
63	1160	35	90	45	3.0	0.2	36.01
75	170	35	100	55	3.0	0.2	47.43
90	200	35	130	60	3.0	0.2	54.30
110	225	40	145	70	3.0	0.3	57.81
125	285	50	185	85	3.0	0.4	70.66
140	295	45	205	95	3.0	0.5	85.65
160	330	40	250	100	3.0	0.6	74.94
180	380	55	270	110	3.0	1.0	101.71
200	385	50	285	120	3.0	1.2	93.14
225	455	60	335	140	3.5	1.4	132.75
250	415	50	315	145	3.5	1.6	130.61
280	465	50	365	175	4.0	1.7	174.51
315	530	60	410	190	5.0	3.3	216.26
355	595	50	495	225	5.0	3.4	267.65
400	610	60	490	240	6.0	5.1	312.62
*450	700	70	560	250	6.0	7.0	388.63
*500	780	70	640	305	6.0	8.0	411.11
*560	840	70	700	350	6.0	10.0	536.37
*630	910	70	770	390	6.0	12.0	901.45
*710	950	80	790	490	8.0	29.0	1221.55
*800	1040	80	880	440	8.0	34.0	1409.98
*900	1140	100	940	500	8.0	40.0	1905.67
*1000	1360	100	1160	560	10.0	59.0	2460.24
*1200	1730	120	1490	755	10.0	81.0	3383.10

* gesegmenteerd
 * segmenté
 * segmented

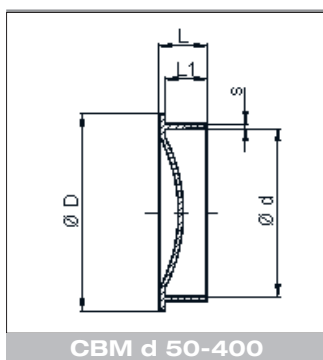
Eveneens leverbaar verloop T-stukken
 Aussi livrable téés réduits
 Also available tees reducing


 T-STUKKEN 45°
 TES A 45°
 TEES 45°

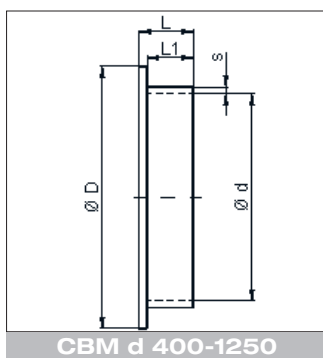
Driezijdig gemoft. / Manchonnées des trois côtés. / Welding sleeves on all ends.

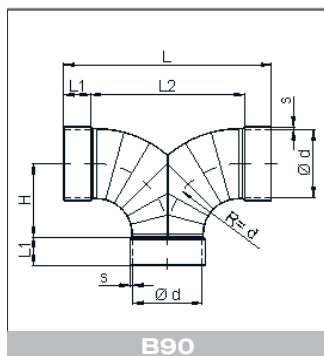
d	L	L1	L2	L3	H	S	KG/ST/PC	€/ST/PC
50	170	35	100	25	75	3.0	0.2	87.79
63	190	35	120	28	95	3.0	0.2	87.79
75	215	40	135	30	105	3.0	0.3	87.79
90	240	40	160	35	125	3.0	0.4	88.86
110	290	40	210	50	160	3.0	0.5	88.86
125	290	40	210	42	167	3.0	0.7	94.21
140	325	45	235	48	188	3.0	0.9	109.20
160	395	55	285	63	222	3.0	1.3	123.12
180	420	50	320	70	250	3.0	1.4	134.90
200	435	45	345	72	272	3.0	1.5	156.31
225	490	50	390	82	307	3.5	2.1	172.37
250	500	40	420	85	335	3.5	2.6	203.41
280	570	50	470	95	375	4.0	3.0	229.11
315	640	60	520	102	417	5.0	3.8	285.85
355	675	50	575	110	465	5.0	4.5	352.23
400	780	60	660	130	539	6.0	9.9	413.25
*450	925	65	795	172	622	6.0	11.0	609.17
*500	995	65	865	182	682	6.0	13.0	672.34
*560	1130	70	990	215	775	6.0	15.5	838.28
*630	1250	70	1110	238	872	6.0	19.5	1247.25
*710	1415	80	1255	273	983	8.0	43.0	1590.91
*800	1520	100	1320	260	1060	8.0	51.0	1832.87
*900	1685	100	1485	292	1192	8.0	62.0	2478.44
*1000	1850	100	1650	325	1325	10.0	92.0	3200.02
*1200	2330	120	2090	420	1670	10.0	130.0	4400.17

* gesegmenteerd / segmenté / segmented


 AFSLUITKAPPEN
 BOUCHONS
 END CAPS

d	D ₁	L	L1	S	KG/ST/PC	€/ST/PC	d	D ₁	L	L1	S	KG/ST/PC	€/ST/PC
50	65	25	22	3.0	0.1	9.64	280	312	28	25	4.0	0.4	26.77
63	80	25	22	3.0	0.1	9.64	315	352	28	24	4.0	0.6	31.05
75	90	25	22	3.0	0.1	9.64	355	390	28	23	4.0	0.7	34.26
90	105	25	22	3.0	0.1	9.64	400	432	29	25	6.0	0.9	36.40
110	140	27	24	3.5	0.1	9.64	450	480	76	70	6.0	1.6	117.77
125	155	28	23	3.5	0.1	10.71	500	530	76	70	6.0	1.8	127.40
140	170	28	25	3.5	0.1	12.85	560	590	76	70	6.0	2.5	141.32
160	190	28	25	3.5	0.2	14.99	630	660	76	70	6.0	3.0	167.01
180	210	28	24	3.5	0.2	14.99	700	730	128	120	8.0	4.7	167.01
200	230	28	24	3.5	0.2	18.20	710	740	128	120	8.0	4.8	226.97
225	255	28	25	4.0	0.3	21.41	800	850	128	120	8.0	6.3	249.45
250	280	28	25	4.0	0.4	25.69	900	950	130	120	8.0	7.7	310.47
							1000	1050	130	120	10.0	11.4	387.56
							1200	1300	130	120	10.0	16.5	645.57

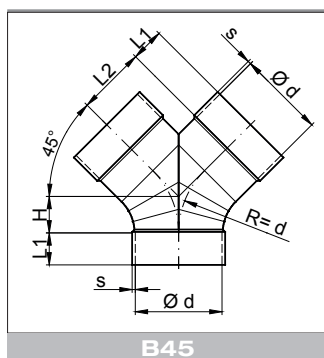



B90

BROEKSTUKKEN 90° R=1D
 CULOTTES A 90° R=1D
 Y-PIECES 90° R=1D

Driezijdig gemoft.
 Manchonnées des trois côtés.
 Welding sleeves on all ends.

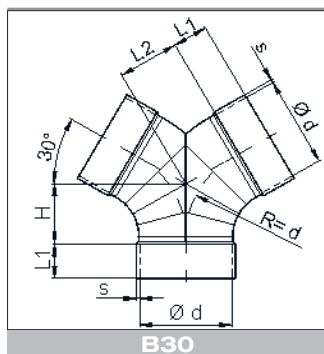
d	L	L1	L2	H	S	KG/ST/PC	€/ST/PC
50	170	30	110	55	3.0	0.2	63.17
63	200	30	140	70	3.0	0.2	63.17
75	230	35	160	80	3.0	0.2	65.31
90	260	35	190	95	3.0	0.3	65.31
110	320	40	240	120	3.0	0.4	72.80
125	350	40	270	135	3.0	0.6	83.51
140	380	40	300	150	3.0	0.7	94.21
160	420	40	340	170	3.0	0.8	107.06
180	480	50	380	190	3.0	1.0	132.75
200	520	50	420	210	3.0	1.4	145.60
225	570	50	470	235	3.5	1.8	192.71
250	620	50	520	260	4.0	2.3	218.40
280	680	50	580	290	4.0	4.2	312.62
315	750	50	650	325	5.0	4.8	341.52
355	830	50	730	365	5.0	6.2	383.27
400	920	50	820	410	6.0	7.7	408.97
450	1030	50	930	465	6.0	12.0	966.75
500	1140	50	1040	520	6.0	15.0	1158.39
630	1440	70	1300	650	6.0	20.0	*


B45

BROEKSTUKKEN 45° R=1D
 CULOTTES A 45° R=1D
 Y-PIECES 45° R=1D

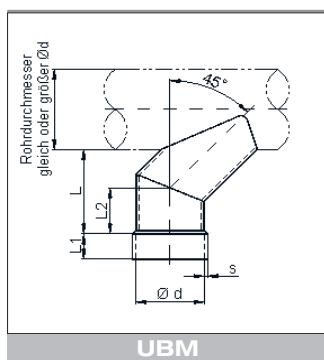
Driezijdig gemoft.
 Manchonnées des trois côtés.
 Welding sleeves on all ends.

d	L1	L2	H	S	KG/ST/PC	€/ST/PC
50	30	50	25	3.0	0.1	59.95
63	30	55	30	3.0	0.1	59.95
75	35	65	35	3.0	0.2	62.09
90	35	70	40	3.0	0.2	65.31
110	40	95	45	3.0	0.4	70.66
125	40	100	60	3.0	0.4	83.51
140	40	120	70	3.0	0.5	91.00
160	40	140	65	3.0	0.7	101.71
180	50	150	85	3.0	1.0	123.12
200	50	175	85	3.0	1.1	138.11
225	50	185	105	3.5	1.4	177.72
250	50	215	105	3.5	1.5	205.56
280	50	245	125	4.0	2.4	309.40
315	50	275	140	5.0	3.0	342.59
355	50	305	155	5.0	4.0	374.71
400	50	355	180	6.0	6.3	392.91
450	50	415	200	6.0	9.5	838.28
500	50	460	225	6.0	10.5	1041.69
630	90	580	280	6.0	13.0	1381.39


BROEKSTUKKEN 30° R=1D
CULOTTES A 30° R=1D
Y-PIECES 30° R=1D

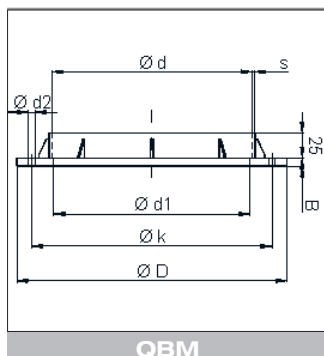
 Driezijdig gemoft.
 Manchonnées des trois côtés.
 Welding sleeves on all ends.

d	L1	L2	H	S	KG/ST/PC	€/ST/PC
50	30	35	35	3.0	0.1	59.95
63	30	40	40	3.0	0.1	59.95
75	30	50	50	3.0	0.2	61.02
90	35	55	55	3.0	0.2	65.31
110	40	75	75	3.0	0.3	70.66
125	40	80	80	3.0	0.4	83.51
140	40	90	90	3.0	0.5	91.00
160	40	100	100	3.0	0.6	101.71
180	50	115	115	3.0	0.9	123.12
200	50	125	125	3.0	1.0	138.11
225	50	140	140	3.5	1.3	177.72
250	50	155	155	3.5	1.4	205.56
280	50	170	170	4.0	2.2	309.40
315	50	190	190	5.0	2.6	341.52
355	50	215	215	5.0	3.6	374.71
400	50	245	245	6.0	4.8	392.91
450	50	275	275	6.0	8.5	838.28
500	50	310	310	6.0	9.5	1041.69
630	90	385	385	8.0	14.0	*


ZADELSTUKKEN 90°
PIEDS DE BICHE A 90°
SADDLE CONNECTIONS 90°

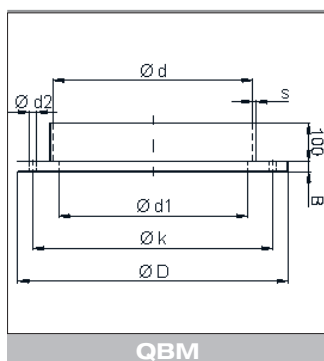
 Buisstuk niet inbegrepen
 Pied de tube no inclusive
 Pipe connection not included

d	L	L1	L2	S	KG/ST/PC	€/ST/PC
50	65	35	30	3.0	0.1	41.75
63	80	35	33	3.0	0.1	41.75
75	90	35	36	3.0	0.1	43.89
90	100	35	39	3.0	0.2	43.89
110	130	40	53	3.0	0.3	49.25
125	145	40	56	3.0	0.3	56.74
140	160	40	59	3.0	0.4	65.31
160	185	40	73	3.0	0.5	78.15
180	205	50	77	3.0	0.6	88.86
200	225	50	81	3.0	0.8	96.35
225	255	50	97	3.5	1.1	116.70
250	280	50	102	3.5	1.3	122.05
280	305	50	108	4.0	1.9	195.92
315	340	50	115	5.0	2.8	270.86
355	375	50	124	5.0	3.5	299.77
400	415	60	133	6.0	5.3	325.46
450	470	70	153	6.0	7.0	390.77
500	515	70	164	6.0	9.8	442.16
560	570	70	176	6.0	13.7	489.26
630	645	70	201	6.0	17.0	556.71
710	720	80	267	8.0	24.5	671.27
800	800	100	286	8.0	30.0	828.64


OPLASFLENZEN
BRIDES A SOUDER
WELDING FLANGES

d	D	B	s	k	d1	d2	n	KG/ ST/PC	€/ST/PC	
									flens/bride/flange	dichting/joint/seal
50	100	8.0	3.0	80	46	7	4	0.1	10.71	5.76
63	120	8.0	3.0	100	59	7	4	0.1	12.85	5.76
75	135	8.0	3.0	115	71	7	4	0.1	12.85	5.76
90	150	8.0	3.0	130	86	7	4	0.1	12.85	5.96
110	170	8.0	4.0	150	106	7	4	0.2	12.85	6.55
125	185	8.0	4.0	165	121	7	8	0.2	14.99	7.35
140	200	8.0	4.0	175	136	7	8	0.2	14.99	7.94
160	230	8.0	4.0	200	156	7	8	0.2	18.20	8.94
180	250	8.0	4.0	225	176	7	8	0.3	20.34	10.32
200	270	8.0	4.0	240	196	7	8	0.3	21.41	11.11
225	295	8.0	4.0	265	221	7	8	0.3	21.41	12.12
250	320	10.0	4.0	290	246	7	12	0.3	23.55	12.92
280	360	10.0	4.0	325	274	9	12	0.4	25.69	14.70
315	395	10.0	4.5	350	309	9	12	0.5	26.77	16.68
355	435	10.0	6.0	400	349	9	12	0.6	28.91	19.06
400	480	10.0	6.5	445	394	9	16	0.8	33.19	21.64

Blindflens op aanvraag / bride pleine sur demande / blank flange on request


OPLASFLENZEN
BRIDES A SOUDER
WELDING FLANGES

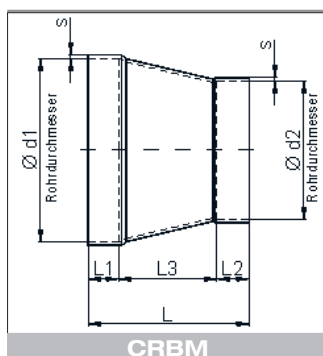
 Uit plaat gedraaid
 Tournées hors plaque
 Turned out of sheet

d	D	B	s	k	d1	d2	n	KG/ ST/PC	€/ST/PC		
									1	2	3
450	530	10	6.0	495	438	9	16	1.5	213.05	237.67	80.82
500	580	10	6.0	545	488	9	20	1.6	267.65	285.85	96.70
560	700	12	6.0	660	548	11	24	2.6	270.86	285.85	111.99
630	730	12	6.0	700	618	11	24	2.7	332.96	382.20	301.22
700	810	12	8.0	770	684	11	24	3.1	383.27	440.02	314.73
710	810	12	8.0	770	694	11	24	3.2	383.27	440.02	314.73
800	900	12	8.0	860	784	11	28	3.7	473.21	523.52	374.90
900	1000	12	8.0	960	884	11	32	4.2	630.58	630.58	562.14
1000	1100	12	10.0	1060	980	11	32	5.6	791.17	827.57	749.78
1200	1350	15	10.0	1310	1230	11	32	7.4	1045.98	1069.53	890.17

1 = zonder groef / sans siège pour joint torique / without seat for O-ring gaskets

2 = met groef / avec siège pour joint torique / with seat for O-ring gaskets

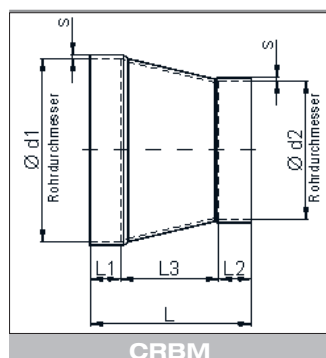
3 = vlakke dichting / joint plat / seal flat : epdm


 CONCENTRISCHE REDUCTIES
 REDUCTIONS CONCENTRIQUES
 CONCENTRIC REDUCERS

Beide zijden gemoft / Manchonnées des deux côtés / Welding sleeves on both ends

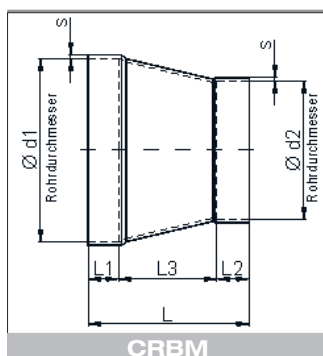
d1	d2	L	L1	L2	L3	s	KG/ST/PC	€/ST/PC
63	50	83	25	35	23	3.0	0.1	36.40
75	50	115	35	35	45	3.0	0.1	36.40
75	63	105	35	25	45	3.0	0.1	36.40
90	50	145	35	35	75	3.0	0.1	41.75
90	63	130	35	25	70	3.0	0.1	41.75
90	75	110	35	35	40	3.0	0.1	18.20
110	50	170	40	35	95	3.0	0.2	23.55
110	63	170	40	25	105	3.0	0.1	27.41
110	75	170	40	35	95	3.0	0.2	20.34
110	90	140	40	35	65	3.0	0.1	20.34
125	50	215	40	35	140	3.0	0.2	41.75
125	63	205	40	25	140	3.0	0.2	41.75
125	75	195	40	35	120	3.0	0.2	41.75
125	90	165	40	35	90	3.0	0.1	41.75
125	110	120	40	35	45	3.0	0.1	21.82
140	50	240	40	35	165	3.0	0.2	*
140	63	225	40	25	160	3.0	0.2	43.89
140	75	215	40	35	140	3.0	0.2	43.89
140	90	185	40	35	110	3.0	0.2	44.97
140	110	145	40	40	65	3.0	0.2	23.74
140	125	103	40	40	23	3.0	0.2	38.54
160	50	275	40	35	200	3.5	0.3	*
160	63	260	40	25	195	3.5	0.3	54.60
160	75	250	40	35	175	3.5	0.3	54.60
160	90	220	40	35	145	3.5	0.3	54.60
160	110	190	40	35	115	3.5	0.3	27.41
160	125	145	40	40	65	3.5	0.4	43.89
160	140	135	40	40	55	3.5	0.2	39.61
180	50	330	50	35	245	3.5	0.4	52.46
180	63	320	50	25	245	3.5	0.4	52.46
180	75	305	50	35	220	3.5	0.3	52.46
180	90	280	50	35	195	3.5	0.3	54.60
180	110	240	50	40	150	3.5	0.4	49.25
180	125	210	50	40	120	3.5	0.4	51.39
180	140	185	50	40	95	3.5	0.3	51.39
180	160	135	50	40	45	3.5	0.2	38.54
200	50	360	50	35	275	3.0	0.3	55.00
200	63	350	50	25	275	3.0	0.3	55.00
200	75	340	50	35	255	3.0	0.4	55.00
200	90	310	50	35	225	3.0	0.4	55.00
200	110	300	50	40	210	3.0	0.4	33.19
200	125	245	50	40	155	3.0	0.4	56.74
200	140	220	50	40	130	3.0	0.3	56.74
200	160	195	50	50	95	3.0	0.4	27.57
200	180	145	50	50	45	3.0	0.5	39.61
225	50	405	50	35	320	3.0	0.8	*
225	63	390	50	25	315	3.0	0.8	*
225	75	380	50	35	295	3.0	0.7	*
225	90	350	50	35	265	3.0	0.6	74.94
225	110	300	50	40	210	3.0	0.6	74.94
225	125	290	50	40	200	3.0	0.5	62.09
225	140	260	50	40	170	3.0	0.5	62.09
225	160	225	50	40	135	3.0	0.4	45.66
225	180	210	50	50	110	3.0	0.4	67.45
225	200	155	50	50	55	3.0	0.4	44.97

* prijs op aanvraag / prix sur demande / price on request


 CONCENTRISCHE REDUCTIES
 REDUCTIONS CONCENTRIQUES
 CONCENTRIC REDUCERS

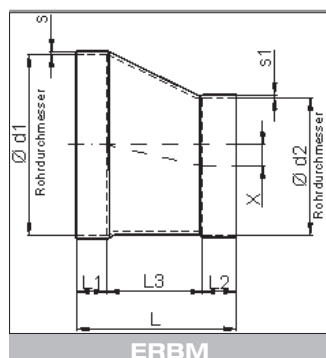
D	d	L	L1	L2	L3	S	KG/ST/PC	€/ST/PC
250	50	470	50	35	385	3.5	0.8	*
250	63	455	50	25	380	3.5	0.8	*
250	75	445	50	35	360	3.5	0.7	*
250	90	415	50	35	330	3.5	0.7	58.26
250	110	345	50	40	255	3.5	0.7	58.26
250	125	340	50	40	250	3.5	0.7	58.26
250	140	305	50	40	215	3.5	0.7	58.55
250	160	285	50	40	195	3.5	0.6	33.19
250	180	265	50	50	165	3.5	0.6	63.17
250	200	215	50	50	115	3.5	0.6	38.54
250	225	165	50	50	65	3.5	0.5	59.95
280	110	400	50	40	310	3.5	1.0	74.94
280	125	390	50	40	300	3.5	1.0	74.94
280	140	360	50	40	270	3.5	1.0	78.15
280	160	335	50	50	235	3.5	1.1	81.37
280	180	295	50	50	195	3.5	1.0	85.65
280	200	260	50	50	160	3.5	0.9	72.80
280	225	260	50	50	160	3.5	0.8	70.66
280	250	210	50	50	110	3.5	0.7	51.39
315	110	470	50	40	380	4.0	1.0	98.50
315	125	460	50	40	370	4.0	1.3	103.85
315	140	435	50	40	345	4.0	1.2	103.85
315	160	395	50	40	305	4.0	1.2	74.94
315	180	360	50	40	270	4.0	0.8	91.00
315	200	330	50	50	230	4.0	1.1	81.37
315	225	285	50	50	185	4.5	1.5	83.51
315	250	240	50	50	140	4.5	0.9	52.46
315	280	190	50	50	90	4.5	0.8	63.17
355	160	470	50	50	370	5.0	1.9	111.34
355	180	435	50	50	335	5.0	1.4	116.70
355	200	400	50	50	300	5.0	1.7	85.65
355	225	350	50	50	250	5.0	1.6	88.86
355	250	305	50	50	205	4.5	1.3	69.59
355	280	250	50	50	150	5.0	1.3	67.45
355	315	200	60	50	90	5.0	1.0	108.13
400	160	575	60	50	465	5.0	2.4	119.91
400	180	540	60	50	430	5.0	2.3	119.91
400	200	500	60	50	390	5.0	2.3	122.05
400	225	455	60	50	345	5.0	2.1	85.65
400	250	415	60	50	305	5.0	2.1	76.01
400	280	345	60	50	235	5.0	1.8	78.15
400	315	290	60	50	180	5.0	1.6	76.01
400	355	225	60	50	115	5.0	1.2	76.01
450	200	590	60	50	480	6.0	3.5	106.79
450	225	545	60	50	435	6.0	3.3	107.09
450	250	495	60	50	385	6.0	3.9	106.32
450	280	440	60	50	330	6.0	3.1	106.32
450	315	370	60	50	260	6.0	2.6	105.56
450	355	305	60	50	195	6.0	2.1	104.01
450	400	235	60	60	115	6.0	1.6	102.93
500	200	670	50	50	570	6.0	4.4	128.66
500	225	625	50	50	525	6.0	4.3	125.90
500	250	595	70	50	475	6.0	4.2	125.90
500	280	540	70	50	420	6.0	4.0	124.66
500	315	480	65	65	350	6.0	3.7	124.66
500	355	400	65	50	285	6.0	3.1	122.50
500	400	335	70	55	210	6.0	2.6	120.04
500	450	250	70	60	120	6.0	1.9	116.34

* prijs op aanvraag / prix sur demande / price on request


 CONCENTRISCHE REDUCTIES
 REDUCTIONS CONCENTRIQUES
 CONCENTRIC REDUCERS

d1	d2	L	L1	L2	L3	S	KG/ST/PC	€/ST/PC
560	250	705	70	50	585	6.0	5.4	463.57
560	280	650	70	50	530	6.0	5.1	448.58
560	315	580	70	50	460	6.0	4.8	429.31
560	355	510	70	50	390	6.0	4.4	411.11
560	400	460	90	55	315	6.0	3.8	408.97
560	450	380	90	60	230	6.0	3.1	387.56
560	500	285	90	60	135	6.0	2.5	367.22
630	280	780	70	50	660	6.0	6.7	501.04
630	315	715	70	50	595	6.0	6.4	477.49
630	355	640	70	50	520	6.0	5.9	458.22
630	400	605	100	55	450	6.0	5.3	460.36
630	450	520	100	60	360	6.0	4.7	442.16
630	500	435	100	60	275	6.0	4.0	418.60
630	560	335	100	70	165	6.0	3.0	398.26
710	315	915	120	50	745	8.0	11.8	558.85
710	355	840	120	50	670	8.0	11.2	534.23
710	400	765	120	60	585	8.0	10.7	510.68
710	450	660	120	70	470	8.0	9.6	510.68
710	500	575	90	60	425	8.0	8.7	484.98
710	560	485	90	90	305	8.0	7.3	462.50
710	630	375	90	90	195	8.0	5.8	392.91
800	355	1005	120	50	835	8.0	14.6	653.07
800	400	930	120	60	750	8.0	14.0	629.51
800	450	850	120	70	660	8.0	13.4	635.94
800	500	755	100	60	595	8.0	12.0	732.29
800	560	495	100	90	305	8.0	11.0	585.62
800	630	550	100	90	360	8.0	9.3	510.68
800	710	380	100	90	190	8.0	7.9	523.52
900	400	1125	120	70	935	8.0	16.2	*
900	450	1035	120	70	845	8.0	17.6	765.48
900	500	940	120	70	750	8.0	16.5	739.78
900	560	825	120	70	635	8.0	15.1	714.09
900	630	695	120	70	505	10.0	16.7	634.87
900	700	620	120	120	380	10.0	15.6	768.69
900	710	600	120	120	360	10.0	15.2	605.96
900	800	435	120	120	195	10.0	11.6	708.74
1000	500	1130	120	70	940	10.0	26.6	859.69
1000	560	1010	120	70	820	10.0	10.5	840.42
1000	630	880	120	70	690	10.0	22.5	747.28
1000	700	815	120	120	575	10.0	21.8	911.08
1000	710	795	120	120	555	10.0	21.3	745.14
1000	800	625	120	120	385	10.0	17.7	852.20
1000	900	440	120	120	200	10.0	13.1	822.22
1250	630	1350	120	70	1160	10.0	39.9	*
1250	700	1265	120	120	1025	10.0	38.7	*
1250	710	1250	120	120	1010	10.0	38.5	*
1250	800	1090	120	120	850	10.0	35.0	*
1250	900	910	120	120	670	10.0	30.7	*
1250	1000	715	120	120	475	10.0	25.3	*
1400	700	1545	120	120	1305	12.0	63.0	*
1400	710	1530	120	120	1290	12.0	61.0	*
1400	800	1360	120	120	1120	12.0	56.4	*
1400	900	1170	120	120	930	12.0	50.7	*
1400	1000	985	120	120	745	12.0	44.5	*
1400	1250	520	120	120	280	12.0	26.0	*

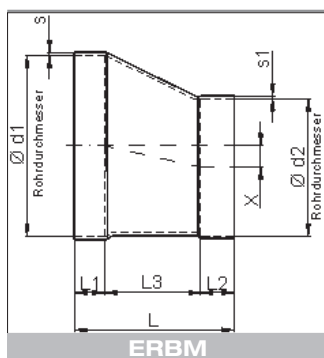
* prijs op aanvraag / prix sur demande / price on request


 EXCENTRISCHE REDUCTIES
 REDUCTIONS EXCENTRIQUES
 EXCENTRIC REDUCERS

Beide zijden gemoft / Manchonnées des deux côtés / Welding sleeves on both ends

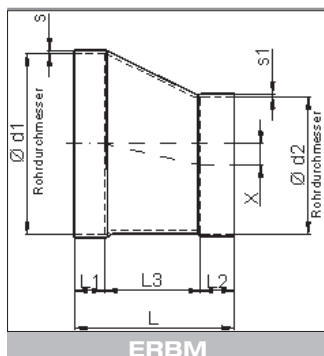
d1	d2	L	L1	L2	L3	S	S1	X	€/ST/PC
63	50	105	35	35	35	3.0	3.0	6.5	93.14
75	50	125	35	35	55	3.0	3.0	12.5	93.14
75	63	100	35	35	30	3.0	3.0	6.0	93.14
90	50	150	35	35	80	3.0	3.0	20.0	81.37
90	63	125	35	35	55	3.0	3.0	13.5	81.37
90	75	105	35	35	35	3.0	3.0	7.5	54.60
110	50	190	40	35	115	3.0	3.0	30.0	78.15
110	63	165	40	35	90	3.0	3.0	23.5	83.51
110	75	145	40	35	70	3.0	3.0	17.5	85.65
110	90	120	40	35	45	3.0	3.0	10.0	56.74
125	50	215	40	35	140	3.0	3.0	37.5	87.79
125	63	190	40	35	115	3.0	3.0	31.0	88.86
125	75	170	40	35	95	3.0	3.0	25.0	91.00
125	90	145	40	35	70	3.0	3.0	17.5	94.21
125	110	115	40	40	35	3.0	3.0	7.5	65.31
140	50	240	40	35	165	3.0	3.0	45.0	*
140	63	220	40	35	145	3.0	3.0	38.5	88.86
140	75	200	40	35	125	3.0	3.0	32.5	91.00
140	90	170	40	35	95	3.0	3.0	25.0	94.21
140	110	140	40	40	60	3.0	3.0	15.0	65.31
140	125	115	40	40	35	3.0	3.0	7.5	78.15
160	50	275	40	35	200	3.0	3.0	55.0	117.77
160	63	255	40	35	180	3.0	3.0	48.5	117.77
160	75	230	40	35	155	3.0	3.0	42.5	122.05
160	90	205	40	35	130	3.0	3.0	35.0	127.40
160	110	175	40	40	95	3.0	3.0	25.0	88.86
160	125	150	40	40	70	3.0	3.0	17.5	78.15
160	140	125	40	40	45	3.0	3.0	10.0	88.86
180	50	320	50	35	235	3.0	3.0	65.0	117.77
180	60	300	50	35	215	3.0	3.0	58.5	*
180	75	275	50	35	190	3.0	3.0	52.5	119.91
180	90	250	50	35	165	3.0	3.0	45.0	122.05
180	110	220	50	40	130	3.0	3.0	35.0	123.12
180	125	195	50	40	105	3.0	3.0	27.5	123.12
180	140	170	50	40	80	3.0	3.0	20.0	127.40
180	160	135	50	40	45	3.0	3.0	10.0	88.86
200	50	355	50	35	270	3.0	3.0	75.0	*
200	63	335	50	35	250	3.0	3.0	68.5	*
200	75	310	50	35	225	3.0	3.0	62.5	127.40
200	90	285	50	35	200	3.0	3.0	55.0	138.11
200	110	255	50	40	165	3.0	3.0	45.0	140.25
200	125	230	50	40	140	3.0	3.0	37.5	141.32
200	140	205	50	40	115	3.0	3.0	30.0	145.60
200	160	170	50	40	80	3.0	3.0	20.0	98.50
200	180	145	50	50	45	3.0	3.0	10.0	104.92
225	50	388	50	35	303	3.0	3.0	87.5	*
225	63	366	50	35	281	3.0	3.0	81.0	*
225	70	345	50	35	260	3.0	3.0	75.0	*
225	90	330	50	35	245	3.5	3.0	67.5	138.11
225	110	300	50	40	210	3.5	3.0	57.5	140.25
225	125	275	50	40	185	3.5	3.0	50.0	141.32
225	140	245	50	40	155	3.5	3.0	42.5	145.60
225	160	215	50	40	125	3.5	3.0	32.5	104.92
225	180	190	50	50	90	3.5	3.0	22.5	154.17
225	200	155	50	50	55	3.5	3.0	12.5	117.77

* prijs op aanvraag / prix sur demande / price on request


 EXCENTRISCHE REDUCTIES
 REDUCTIONS EXCENTRIQUES
 EXCENTRIC REDUCERS

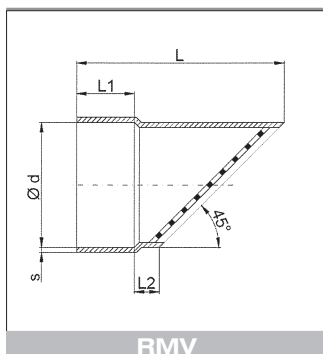
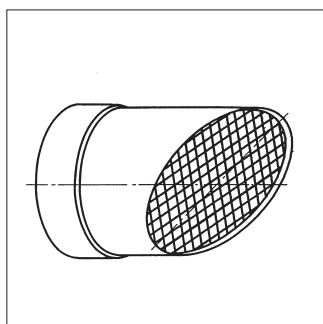
d1	d2	L	L1	L2	L3	S	S1	X	€/ST/PC
250	50	431	50	35	346	3.0	3.0	100.0	*
250	63	409	50	35	324	3.0	3.0	87.5	*
250	75	388	50	35	303	3.0	3.0	93.5	*
250	90	370	50	35	285	3.5	3.0	80.0	138.11
250	110	340	50	40	250	3.5	3.0	70.0	141.32
250	125	315	50	40	225	3.5	3.0	62.5	147.74
250	140	290	50	40	200	3.5	3.0	55.0	147.74
250	160	255	50	40	165	3.5	3.0	45.0	117.77
250	180	230	50	50	130	3.5	3.0	35.0	129.54
250	200	195	50	50	95	3.5	3.0	25.0	132.75
250	225	155	50	50	55	3.5	3.5	12.5	141.32
280	110	395	50	40	305	4.0	3.0	85.0	156.31
280	125	370	50	40	280	4.0	3.0	77.5	187.36
280	140	340	50	40	250	4.0	3.0	70.0	189.50
280	160	310	50	40	220	4.0	3.0	60.0	194.85
280	180	275	50	40	185	4.0	3.0	50.0	195.92
280	200	250	50	50	150	4.0	3.0	40.0	198.06
280	225	205	50	50	105	4.0	3.5	27.5	202.34
280	250	160	50	50	60	4.0	3.5	15.0	156.31
315	110	455	50	40	375	5.0	3.0	100.0	202.34
315	125	430	50	40	340	5.0	3.0	95.0	207.70
315	140	405	50	40	315	5.0	3.0	87.5	218.40
315	160	370	50	40	280	5.0	3.0	77.5	219.47
315	180	335	50	40	245	5.0	3.0	67.5	231.25
315	200	310	50	50	210	5.0	3.0	57.5	185.21
315	225	265	50	50	165	5.0	3.5	45.0	207.70
315	250	225	50	50	125	5.0	3.5	32.5	161.66
315	280	170	50	50	70	5.0	4.0	17.5	192.71
355	160	440	50	40	350	5.0	3.0	97.5	252.66
355	180	405	50	40	315	5.0	3.0	87.5	260.16
355	200	380	50	50	280	5.0	3.0	77.5	210.91
355	225	335	50	50	235	5.0	3.5	65.0	221.61
355	250	290	50	50	190	5.0	3.5	52.5	172.37
355	280	240	50	50	140	5.0	4.0	37.5	245.17
355	315	180	50	50	80	5.0	5.0	20.0	198.06
400	160	525	60	40	425	6.0	3.0	120.0	281.57
400	180	490	60	40	390	6.0	3.0	110.0	292.27
400	200	465	60	50	355	6.0	3.0	100.0	294.42
400	225	425	60	50	315	6.0	3.5	87.5	298.70
400	250	380	60	50	270	6.0	3.5	75.0	299.77
400	280	330	60	50	220	6.0	4.0	60.0	304.05
400	315	270	60	50	160	6.0	5.0	42.5	249.45
400	355	200	60	50	90	6.0	5.0	22.5	223.76
450	200	555	60	50	445	6.0	3.0	125.0	494.62
450	225	500	60	50	390	6.0	3.5	112.5	494.62
450	250	465	60	50	355	6.0	3.5	100.0	496.76
450	280	415	60	50	305	6.0	4.0	85.0	499.97
450	315	355	60	50	245	6.0	5.0	67.5	505.32
450	355	285	60	50	175	6.0	5.0	47.5	473.21
450	400	205	60	50	95	6.0	6.0	25.0	442.16
500	200	640	60	50	530	6.0	3.0	150.0	567.42
500	225	595	60	50	485	6.0	3.5	137.5	569.56
500	250	555	60	50	445	6.0	3.5	125.0	585.62
500	280	500	60	50	390	6.0	4.0	110.0	587.76
500	315	440	60	50	330	6.0	5.0	92.5	588.83
500	355	370	60	50	260	6.0	5.0	72.5	598.47
500	400	305	60	60	185	6.0	6.0	50.0	563.14
500	450	215	60	60	95	6.0	6.0	25.0	534.23

* prijs op aanvraag / prix sur demande / price on request


 EXCENTRISCHE REDUCTIES
 REDUCTIONS EXCENTRIQUES
 EXCENTRIC REDUCERS

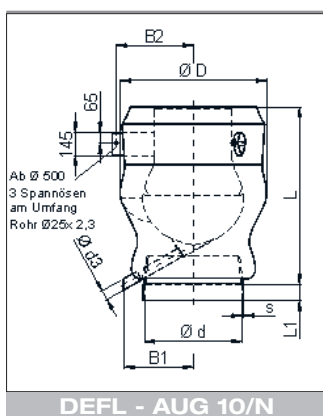
d1	d2	L	L1	L2	L3	S	S1	X	€/ST/PC
560	250	685	90	50	545	6	3.5	155.0	695.89
560	280	630	90	50	490	6	4.0	140.0	674.48
560	315	570	90	50	430	6	5.0	122.5	643.43
560	355	500	90	50	360	6	5.0	102.5	614.52
560	400	435	90	60	285	6	6.0	80.0	612.38
560	450	345	90	60	195	6	6.0	55.0	581.34
560	500	260	90	60	110	6	6.0	30.0	551.36
630	280	750	90	50	610	6	4.0	175.0	747.28
630	315	690	90	50	550	6	5.0	157.5	716.23
630	355	620	90	50	480	6	5.0	137.5	687.33
630	400	555	90	60	405	6	6.0	115.0	694.82
630	450	465	90	60	315	6	6.0	90.0	661.63
630	500	380	90	60	230	6	6.0	65.0	629.51
630	560	300	90	90	120	6	6.0	35.0	598.47
700	315	815	90	50	675	8	5.0	192.5	*
700	355	745	90	50	605	8	5.0	172.5	*
700	400	675	90	60	525	8	6.0	150.0	*
700	450	590	90	60	440	8	6.0	125.0	*
700	500	500	90	60	350	8	6.0	100.0	*
700	560	420	90	90	240	8	6.0	70.0	*
710	315	830	90	50	690	8	5.0	197.5	533.14
710	355	760	90	50	620	8	5.0	177.5	801.88
710	400	695	90	60	545	8	6.0	155.0	767.62
710	450	605	90	60	455	8	6.0	130.0	765.48
710	500	510	90	50	370	8	6.0	105.0	731.22
710	560	440	90	90	260	8	6.0	75.0	669.13
710	630	320	90	90	140	8	6.0	40.0	587.76
800	355	915	90	50	775	8	5.0	222.5	978.53
800	400	850	90	60	700	8	6.0	200.0	943.20
800	450	760	90	60	610	8	6.0	175.0	954.98
800	500	675	90	60	525	8	6.0	150.0	1099.51
800	560	595	90	90	415	8	6.0	120.0	877.89
800	630	475	90	90	295	8	6.0	85.0	767.62
800	700	355	90	90	175	8	8.0	50.0	919.65
800	710	335	90	90	155	8	8.0	45.0	789.03
900	400	1051	125	60	866	8	8.0	250.0	*
900	450	970	125	60	785	8	6.0	225.0	1147.68
900	500	885	125	60	700	8	6.0	200.0	918.57
900	560	815	125	90	600	8	6.0	170.0	1070.60
900	630	685	125	90	470	8	6.0	135.0	952.83
900	700	560	125	90	345	8	8.0	100.0	1153.04
900	710	545	125	90	330	8	8.0	95.0	906.80
900	800	390	125	90	175	8	8.0	50.0	1063.11
1000	500	1045	125	50	870	10	6.0	250.0	1289.00
1000	560	985	125	100	760	10	6.0	220.0	1260.10
1000	630	865	125	100	640	10	6.0	185.0	1121.99
1000	700	745	125	100	520	10	8.0	150.0	1367.16
1000	710	725	125	100	500	10	8.0	145.0	1119.85
1000	800	595	125	125	345	10	8.0	100.0	1276.16
1000	900	425	125	125	175	10	8.0	50.0	1231.19
1250	630	1300	125	100	1075	10	6.0	310.0	*
1250	700	1180	125	100	955	10	8.0	275.0	*
1250	710	1160	125	100	935	10	8.0	270.0	*
1250	800	1030	125	125	780	10	8.0	225.0	*
1250	900	855	125	125	605	10	8.0	175.0	*
1250	1000	685	125	125	435	10	10.0	125.0	*
1400	700	1485	175	125	1210	12	8.0	350.0	*
1400	710	1470	175	125	1195	12	8.0	345.0	*
1400	800	1340	175	125	1040	12	8.0	300.0	*
1400	900	1165	175	125	865	12	8.0	250.0	*
1400	1000	995	175	125	695	12	10.0	200.0	*
1400	1250	560	175	125	260	12	10.0	75.0	*

* prijs op aanvraag / prix sur demande / price on request


RMV


VERLUCHTINGSROOSTERS, 58% VRIJE DOORLAAT
 SOUPAPES D'ASPIRATION, 58 % DE PASSAGE LIBRE
 EXHAUST VALVES, FREE CROSS-SECTION 58 %

D	L	L ¹	L ²	S	KG/ST/PC	€/ST/PC
50	135	35	50	3.0	0.1	39.61
63	145	35	50	3.0	0.2	51.39
75	165	35	45	3.0	0.2	59.95
90	170	35	50	3.0	0.2	69.59
110	190	40	45	3.0	0.3	85.65
125	220	45	55	3.0	0.3	85.65
140	230	40	45	3.0	0.3	94.21
160	260	50	45	3.0	0.3	98.50
180	280	50	50	3.0	0.3	114.55
200	310	55	50	3.0	0.4	117.77
225	330	50	55	3.5	0.5	153.10
250	360	55	60	3.5	0.7	159.52
280	390	50	60	4.0	0.8	205.56
315	425	50	65	5.0	1.5	223.76
355	480	65	65	5.0	1.7	255.87
400	520	60	60	6.0	2.6	299.77
450	580	70	60	6.0	3.4	567.31
500	620	65	55	6.0	4.9	630.36
560	690	70	60	6.0	3.4	921.53
630	760	70	60	10.0	8.6	1036.81

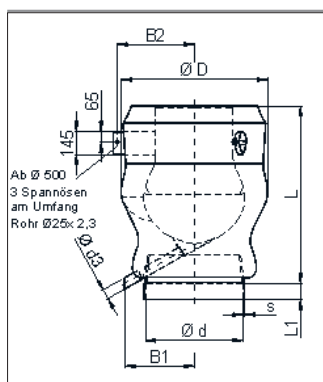

DEFL - AUG 10/N

DEFLEKTORKAPPEN
 CAPOTS A DEFLECTEUR
 DEFLECTION CAPS

Met lasmoffen, op aanvraag flensaansluiting
 Avec manchon, sur demande avec bride
 With socket end, on request with flange

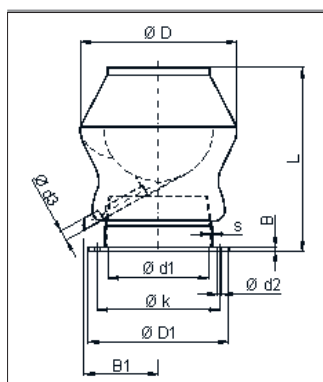
d	D	L	L ¹	s	B1	B2	d ₃	KG/ST/PC	€/ST/PC AUG 10.10/N
110	170	240	40	3	80	-	16	0.5	319.04
125	185	265	40	3	90	-	20	0.6	358.65
140	200	295	40	3	100	-	20	1.1	406.83
160	230	335	40	3	115	-	25	1.3	460.36
180	250	365	50	3	130	-	25	1.5	498.90
200	270	385	50	3	150	-	25	2.2	522.45
225	295	450	50	3	156	-	25	2.5	580.27
250	320	495	60	3	185	-	25	3.3	623.09
280	360	550	50	3	205	-	25	3.7	723.73
315	395	620	50	3	235	-	32	5.5	778.33
355	435	690	50	4	260	-	32	6.2	851.13
400	595	720	70	4	290	-	40	9.0	908.94
450	595	720	65	4	290	-	40	9.5	919.65
500	760	920	100	6	370	410	50	13.5	1084.52
560	860	975	100	6	405	455	50	22.8	1242.97
630	935	1135	100	6	450	490	63	44.5	1423.90

Andere diameters: op aanvraag / Autres diamètres : sur demande / Other diameters on request
 Drukval bij 10 m/sec./ Pression à 10 m/sec. / Pressure drop at 10 m/sec. : **94 pa**


DEFL - AUG 10/BYPASS
DEFLEKTORKAPPEN
CAPOTS A DEFLECTEUR
DEFLECTION CAPS

 Met lasmoffen, op aanvraag flensaansluiting
 Avec manchon, sur demande avec bride
 With socket end, on request with flange

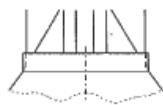
d	D	L	L1	s	B1	B2	d3	KG/ ST/PC	€/ST/PC AUG 10.10/BY
110	170	240	40	3	80	-	20	0.5	346.87
125	185	265	40	3	90	-	20	0.6	377.92
140	200	295	40	3	100	-	20	1.1	426.10
160	230	335	40	3	115	-	25	1.3	480.70
180	250	365	50	3	130	-	25	1.5	521.38
200	270	385	50	3	150	-	25	2.2	552.43
225	295	450	50	3	156	-	25	2.5	616.67
250	320	495	60	3	185	-	25	3.3	659.49
280	360	550	50	3	205	-	25	3.7	770.83
315	395	620	50	3	235	-	32	5.5	817.94
355	435	690	50	4	260	-	32	6.2	923.66
400	595	720	70	4	290	-	40	9.0	963.54
450	595	720	65	4	290	-	40	9.5	1040.62
500	760	920	100	6	370	410	50	13.5	1269.73
560	860	975	100	6	405	455	50	22.8	1426.04
630	935	1135	100	6	450	490	63	44.5	1640.16

 Andere diameters: op aanvraag / Autres diamètres : sur demande / Other diameters on request
 Drukval bij 10 m/sec./ Pression à 10 m/sec. / Pressure drop at 10 m/sec. : **94 pa**

DEFL - DSB
DEFLEKTORKAPPEN
CAPOTS A DEFLECTEUR
DEFLECTION CAPS

 Met lasmoffen, op aanvraag flensaansluiting
 Avec manchon, sur demande avec bride
 With socket end, on request with flange

d	D	L	L1	s	B1	B2	d3	KG/ ST/PC	€/ST/PC DSB
110	170	215	40	3	80	-	20	0.5	231.25
125	185	240	40	3	90	-	20	0.6	234.46
140	200	260	40	3	100	-	20	0.6	264.44
160	230	290	40	3	115	-	25	0.8	267.65
180	250	310	50	3	130	-	25	1.5	283.71
200	270	340	50	3	150	-	25	1.7	284.78
225	295	385	50	3	156	-	25	2.5	307.26
250	320	420	50	3	185	-	25	2.7	314.76
280	360	465	50	3	205	-	25	3.0	386.49
315	395	515	50	3	235	-	32	4.6	405.76
355	435	575	50	4	260	-	32	6.3	580.27
400	480	635	60	4	290	-	40	7.3	689.47

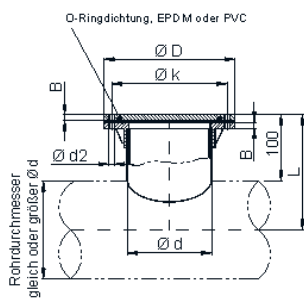
 Andere diameters: op aanvraag / Autres diamètres : sur demande / Other diameters on request
 Drukval bij 10 m/sec./ Pression à 10 m/sec. / Pressure drop at 10 m/sec. : **132 pa**



DEFL

VOGELVERSCHRIKKER
PROTECTION OISEAU
BIRD PROTECTION

d 110 - 315: **62.09 €/ST/PC**
d 355 - 630: **156.31 €/ST/PC**



TROE

REINIGINGSOPENING
ORIFICE DE NETTOYAGE
CLEANING EYE

d	d1	L	L1	L2	s	H	D	B	K	d2	n	€/ST/PC
110	110	225	40	145	3.0	100	170	8	150	7	4	68.52
125	125	285	50	185	3.0	105	185	8	165	7	8	72.80
140	140	295	45	205	3.0	115	200	8	175	7	8	88.86
160	160	330	40	250	4.5	125	230	8	200	7	8	101.71
180	180	380	55	270	3.2	135	250	8	220	7	8	109.20
200	200	385	50	285	5.0	145	270	8	240	7	8	124.19
225	225	455	60	335	3.5	155	295	8	265	7	8	132.75
250	250	415	50	315	5.0	170	320	8	290	7	12	170.23
280	250	460	50	360	3.2	185	320	8	290	7	12	198.06
315	250	525	55	415	3.2	200	320	8	290	7	12	219.47
355	250	560	50	460	5.0	220	320	8	290	7	12	269.79
400	250	610	60	490	4.0	245	320	8	290	7	12	336.17

n = aantal gaten / nombre de trous / number of holes

Opmerking: De bouten voor het deksel zijn niet inbegrepen.

Remarque: Les boulons de fixation du couvercle ne sont pas inclus.

Remark: The bolts for the cover are not included.