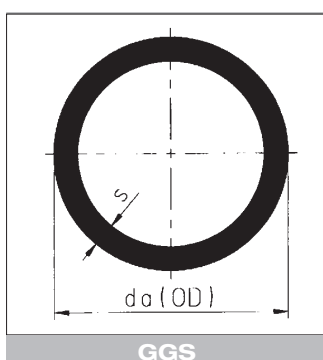


BUIS NATUREL  
TUYAU NATUREL  
PIPE NATURAL

L = 5 m

da	s	KG/ST/PC	€/M
32	2.3	0.51	142.15
50	2.3	0.82	228.56
63	2.3	1.04	290.99
90	2.3	1.51	420.88
110	2.3	1.85	516.75



BUIS GGS GLASDOEK GELAMINEERD  
TUYAU GGS LAMINE FIBRES DE VERRE  
PIPE GGS GLASS BACKING

L = 5 m

da	s	KG/ST/PC	€/M
32	2.3	0.61	435.66
50	2.3	0.98	502.25
63	2.3	1.25	640.63
90	2.3	1.80	810.54
110	2.3	2.21	963.98

L = 1 m

da	s	KG/ST/PC	€/M
32	2.3	0.61	501.01
50	2.3	0.98	577.59
63	2.3	1.25	736.72
90	2.3	1.80	932.12
110	2.3	2.21	1108.58

Drukloos toepasbaar van -190°C tot +260°C  
Applications sans pression de -190°C à +260°C  
Pressureless applications from -190°C to +260°C