

HARD PVC DONKERGRIJS RAL 7011
 PVC RIGIDE GRIS FONCÉ RAL 7011
 U-PVC DARK GREY RAL 7011

L = 5 m, gladde uitvoering
 Volgens DIN 8061/62 , ISO/R161- 1960 , EN 15877
 Zelfdovend volgens DIN 4102.
 100% weekmakervrij, siliconenvrij, krijtvrij, regeneraatvrij

L = 5 m, bouts lisses
 Suivant DIN 8061/62 , ISO/R161- 1960 , EN 15877
 Auto-extinguible selon DIN 4102
 100% sans plastificateurs, silicones, graie et régénérats

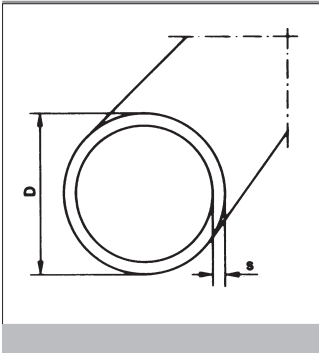
L = 5 m, butt ends
 According to DIN 8061/62 , ISO/R161- 1960 , EN 15877
 Self-extinguishing according to DIN 4102
 100% without plastifiers, silicones, crayon or regenerated plastics

REEKS SERIE SERIES	SDR 51			SDR 34.4			SDR 21			SDR 13.6			SDR 9		
	PN 4			PN 6			PN 10			PN 16			PN 16*		
D	s	KG/M	€/M	s	KG/M	€/M	s	KG/M	€/M	s	KG/M	€/M	s	KG/M	€/M
6													1.0	0.025	1.65
8													1.0	0.035	1.86
10													1.2	0.054	1.92
12													1.4	0.074	2.06
16										1.2	0.091	1.13	1.8	0.125	1.54
20										1.5	0.139	1.58	2.3	0.199	2.15
25							1.5	0.177	1.87	1.9	0.215	2.27	2.8	0.299	2.85
32							1.8	0.280	2.48	2.4	0.347	3.28	3.6	0.489	4.90
40							1.9	0.355	3.16	3.0	0.533	4.88	4.5	0.761	7.48
50				1.8	0.366	3.83	2.4	0.560	4.93	3.7	0.821	7.26	5.6	1.178	11.44
63				1.9	0.571	5.75	3.0	0.866	6.32	4.7	1.306	11.79	7.0	1.846	17.97
75	1.8	0.651	6.74	2.2	0.793	8.19	3.6	1.237	9.14	5.6	1.847	16.55	8.4	2.637	34.19
90	1.8	0.785	8.40	2.7	1.146	11.21	4.3	1.770	13.06	6.7	2.643	22.79	10.0	3.801	48.57
110	2.2	1.175	11.66	3.2	1.663	14.74	5.3	2.652	19.18	8.2	3.911	33.34	12.3	5.644	73.08
125	2.5	1.500	15.34	3.7	2.159	22.19	6.0	3.386	27.02	9.3	5.036	48.05			
140	2.8	1.863	19.71	4.1	2.691	26.23	6.7	4.237	31.27	10.4	6.304	57.92			
160	3.2	2.444	26.33	4.7	3.491	30.79	7.7	5.553	39.30	11.9	8.225	71.32			
180	3.6	3.064	35.94	5.3	4.432	48.70	8.6	6.974	60.57	13.4	10.435	99.31			
200	4.0	3.669	41.69	5.9	5.444	65.12	9.6	8.636	71.88	14.9	12.800	*			
225	4.5	4.667	55.23	6.6	6.855	65.29	10.8	10.908	82.47	16.7	16.242	148.18			
250	4.9	5.732	66.44	7.3	8.428	99.98	11.9	13.344	108.81	18.6	19.900	*			
280	5.5	7.214	86.13	8.2	10.400	*	13.4	16.838	126.12						
315	6.2	9.020	105.11	9.2	13.343	120.89	15.0	21.152	155.95						
355	7.0	11.400	136.67	10.4	16.955	167.35	16.9	26.500	*						
400	7.9	14.500	175.15	11.7	21.441	*	19.1	33.700	*						
450	8.9	18.300	*	13.1	26.800	*	21.5	42.700	*						
500	9.8	22.400	*	14.6	32.900	*	23.8	53.600	*						
630	12.3	35.700	*	18.4	52.200	*									

PN 16* : versterkt / renforcé / reinforced

* op aanvraag / sur demande / on request

Andere lengten, kleuren en/of uiteinden op aanvraag
 Autres longueurs, couleurs et/ou bouts sur demande
 Other lengths, colours and/or ends on request



FITTINGBUIS
TUYAUX A FILETER
FITTING PIPE

DONKERGRIJS RAL 7011
GRIS FONCÉ RAL 7011
DARK GREY RAL 7011

L = 4 m (2" L = 5 m).

Geschikt voor aanbrengen van schroefdraad
Convient pour le filetage
Suitable for tapping screwthread

D x d	D x s	d	KG/M	€/M
1/2" x 3/8"	21.1 x 3.40	14.3	0.267	1.88
3/4" x 1/2"	26.6 x 4.80	17.0	0.467	3.24
1" x 3/4"	33.4 x 5.70	22.0	0.709	4.94
1 1/4" x 1"	42.2 x 6.35	29.5	1.016	7.05
1 1/2" x 1 1/4"	48.1 x 5.10	37.9	0.978	6.81
2"	59.6 x 4.85	49.9	1.168	17.81