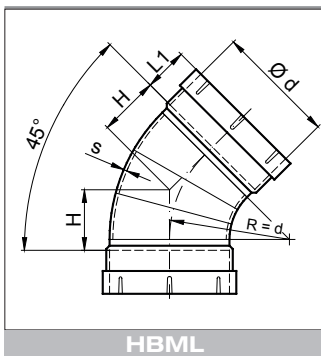


BOCHTEN 90° - R = 1D
COURBES 90° - R = 1D
BENDS 90° - R = 1D

SEGMENTVRIJ
SANS SEGMENTS
WITHOUT SEGMENTS

Beide zijden gemoft.
Manchonnées des deux côtés.
Welding sleeves on both ends.

d	L1	H	s	KG/ST/PC	€/ST/PC	
					PPS/PP/PE	PP-S-EL
50	25	55	3.0	0.1	22.73	52.89
63	25	70	3.0	0.1	23.66	53.68
75	35	80	3.0	0.2	24.60	54.46
90	35	95	3.0	0.2	25.47	55.25
110	40	120	3.0	0.3	27.66	62.69
160	40	170	3.0	0.5	40.40	90.75
200	50	210	3.0	0.9	45.29	115.98
250	50	260	3.0	1.5	62.62	171.61
315	50	325	3.5	3.0	171.46	382.40

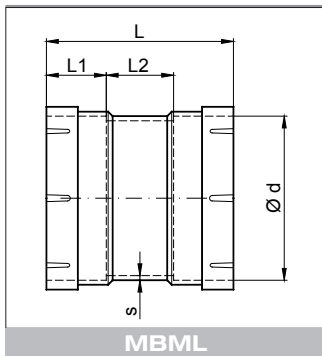


BOCHTEN 45° - R = 1D SEGMENTVRIJ
COURBES 45° - R = 1D SANS SEGMENTS
BENDS 45° - R = 1D WITHOUT SEGMENTS

Beide zijden gemoft.
Manchonnées des deux côtés.
Welding sleeves on both ends.

d	L1	H	s	KG/ST/PC	€/ST/PC	
					PPS/PP/PE	PP-S-EL
50	25	30	3.0	0.1	17.71	40.36
63	25	32	3.0	0.1	18.74	41.77
75	35	35	3.0	0.1	19.76	43.65
90	35	40	3.0	0.1	20.77	45.38
110	40	55	3.0	0.2	23.66	47.72
160	40	75	3.0	0.3	32.92	88.08
200	50	95	3.0	0.6	37.77	100.86
250	50	115	3.0	0.9	50.31	136.28
315	50	140	3.5	1.9	131.10	315.17

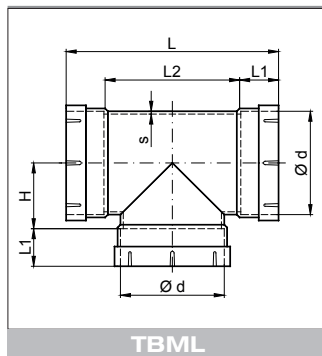
Eveneens leverbaar : bochten in 15° - 30° - 60° - 75°
Aussi livrable : courbes dans 15° - 30° - 60° - 75°
Also available: bends on 15° - 30° - 60° - 75°



MBML

SOKKEN
 MANCHONS
 SOCKETS

d	L	L1	L2	s	KG/ST/PC	€/ST/PC	
						PPS/PP/PE	PP-S-EL
50	80	25	20	3.0	0.1	15.13	30.91
63	80	25	30	3.0	0.1	16.00	33.71
75	100	35	30	3.0	0.1	16.86	35.00
90	100	35	30	3.0	0.2	17.72	38.68
110	95	40	15	3.0	0.2	19.02	41.48
160	100	40	20	3.0	0.2	20.11	45.37
200	120	50	20	3.0	0.3	22.68	52.93
250	120	50	20	3.0	0.4	30.24	75.62
315	120	50	20	3.0	0.6	35.22	88.14

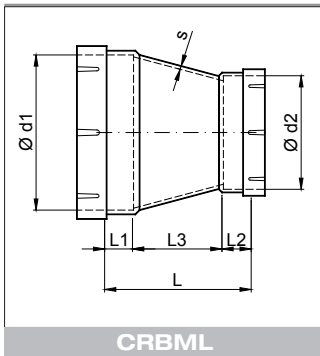


TBML

T-STUKKEN 90°
 TES A 90°
 TEES 90°

Driezijdig gemoft.
 Manchonnées des trois côtés.
 Welding sleeves on all ends.

d	L	L1	L2	H	s	KG/ST/PC	€/ST/PC	
							PPS/PP/PE	PP-S-EL
50	140	25	70	35	3.0	0.2	44.93	124.66
63	160	25	90	45	3.0	0.2	50.13	149.51
75	170	35	100	55	3.0	0.3	66.12	164.84
90	200	35	130	60	3.0	0.4	75.62	199.19
110	225	40	145	70	3.5	0.5	80.59	272.44
160	330	40	250	100	4.5	0.6	103.49	362.40
200	385	50	285	120	5.0	1.2	128.78	444.21
250	415	50	315	145	5.5	1.6	181.70	598.81
315	530	60	410	190	3.5	3.3	300.09	840.42



CRBML

CONCENTRISCHE REDUCTIES
 REDUCTIONS CONCENTRIQUES
 CONCENTRIC REDUCERS

d1	d2	L	L1	L2	L3	s	KG/ST/PC	€/ST/PC	
								PPS/PP/PE	PP-S-EL
63	50	58	25	35	20	3.0	0.1	50.34	181.70
75	50	83	35	35	45	3.0	0.1	50.34	181.70
75	63	63	35	25	35	3.0	0.1	50.34	184.08
90	50	113	35	35	75	3.0	0.1	57.90	206.97
90	63	95	35	25	70	3.0	0.1	57.90	206.97
90	75	120	40	40	40	3.0	0.1	25.28	153.82
110	50	175	40	35	100	3.0	0.2	32.85	153.82
110	63	165	40	25	100	3.0	0.2	37.81	159.00
110	75	170	40	35	95	3.0	0.2	27.65	90.75
110	90	135	35	35	65	3.0	0.2	27.65	90.75
160	50	275	40	35	200	3.0	0.3	75.62	209.58
160	63	260	40	25	195	3.0	0.3	75.62	209.58
160	75	250	40	35	175	3.0	0.3	75.62	209.58
160	90	220	40	35	145	3.0	0.3	75.62	209.58
160	110	190	40	35	115	3.0	0.3	37.81	103.49
200	50	360	50	35	275	3.0	0.3	75.62	209.58
200	63	350	50	25	275	3.0	0.3	75.62	209.58
200	75	340	50	35	255	3.0	0.3	75.62	209.58
200	90	310	50	35	225	3.0	0.4	75.62	212.16
200	110	300	50	40	210	3.0	0.4	45.37	143.88
200	160	195	50	50	95	3.0	0.5	37.82	126.18
250	75	445	50	35	360	3.0	0.8	78.00	214.54
250	90	415	50	35	330	3.0	0.8	78.00	214.54
250	110	345	50	40	255	3.0	0.8	78.00	217.12
250	160	285	50	40	195	3.0	0.7	45.37	123.57
250	200	215	50	50	115	3.0	0.6	52.93	179.11
315	110	470	50	40	380	3.0	1.0	136.32	438.78
315	160	435	50	40	345	3.0	1.2	103.49	334.43
315	200	395	50	40	305	3.0	1.1	113.65	366.42
315	250	240	50	50	140	4.0	1.5	73.03	229.02